



TALEX Spółka z ograniczoną odpowiedzialnością

Spółka komandytowa

ul. Dworcowa 9c
77-141 Borzytuchom
tel. (59) 821 13 40

e-mail: biuro@talex-sj.pl

www.talex-sj.pl

ORIGINAL USER MANUAL

SPARE PARTS CATALOGUE

WARRANTY

ECO CLEAN SWEEPER: 1200, 1500, 1800, 2300



CE

Issue 02
Borzytuchom 2020



Table of contents

1. Introduction	3
2. Sweeper identification	4
3. Intended use	5
4. Safety rules at work.....	5
4.1 Usage of Sweeper.....	5
4.2 Connection and disconnection of sweeper	6
4.3 Hydraulic installation.....	7
4.4 The sweeper's transport	7
4.5 Maintenance	8
4.6 Working with the machine	8
4.7 The description of residual risk	9
4.8 Information and warning labels	10
5. Design and Operation	12
5.1 Basic technical data.....	12
5.2 General design of sweeper.....	15
5.3 Construction and operation of the hydraulic system.....	16
5.3.1 Version with side brush and hydraulic dustbin	16
5.3.2 Version with two side brushes and hydraulic dustbin	17
5.3.3 Version with side brush and manual dustbin	18
5.3.4 Version with hydraulic dustbin	20
5.3.5 Standard version	21
5.4 Design and operations of sprinkler system	22
6. Preparing for work	24
7. Proper installation of the sweeper.....	24
7.1 Roller brush	24
During the installation of the roller brush pay attention to the same setting of push on the whole length of the roller. Uneven installation causes faster wear of the roller brush.	25
7.2 Dustbin	26
7.2.1 Manual emptying of dustbin	27
7.2.3 Sweeper's work without the dustbin	27
When using the dustbin with hydraulic emptying	29
7.3 Side brush.....	29
7.5 Third supporting wheel	30
8. Maintenance and replacement of parts	31
8.1 Assembly and disassembly of roller brush	31
8.1.1 Hydraulic engine:	31
8.1.2 Bearing unit:.....	31
8.2 Installation and replacement of side brush.....	33
Table 8.....	Błąd! Nie zdefiniowano zakładki.
9. Defects and methods of repair	33
10. Lubrication points	35
11. After season maintenance	36
12. Disassembly, scrapping and environment protection.....	36
12. Warranty	74

**ATTENTION!**

Read this operating manual before use and comply with its safety rules.

The operating manual is the basic equipment of the machine!

The manual should be kept in a safe place, available to the user and operator through the entire lifetime of the machine.

In the case of losing or damage you must purchase a new copy by ordering it from the points of machine sales or manufacturer.

In the case of sale or providing the machine to other user, the manual must be accompanied with the declaration of conformity for the machine.

The manufacturer reserves all rights to the operating instructions.

Copying, processing of manual, and its parts without the consent of the manufacturer - forbidden

1. Introduction

Before the first activities related to the use of sweeper, this operating manual must be read and understood and all instructions contained therein must be followed.



ATTENTION !
Read the operating manual before use

This manual contains a description of the risks that may occur when non-compliance with safety rules during operation and maintenance of sweeper. The manual lists the precautions to be taken to minimize or avoid risks.

The manual also contains rules of proper use of sweeper and explains what maintenance work should be performed at the same time.

If the information contained in this manual is unclear, please ask for their explanation directly to the manufacturer.



ATTENTION !
This symbol warns against risk.
This warning symbol indicates to an important information about the risk given in the manual. Please read the given information carefully, follow the instructions and take full precaution.



2. Sweeper identification

Every rotary sweeper it's provided with nameplate, which contains most important identification data. Nameplate is located in a readily accessible place. Data included on nameplate confirm sweeper compatibility with current health and safety regulations.



Name plate contains:

- Full manufacturer name
- Serial number
- Machines symbol
- CE marking means, that sweeper is compatible with Directive 2006/42/WE
- weight
- quality control mark
- production date



Data presented on nameplate are mandatory for **warranty complaint or when ordering parts**



3. Intended use

TALEX sweeper is used for removing impurities formed on all paved surfaces. Ideal for sweeping squares, traffic routes and car parks, which are covered with paving stones, asphalt or concrete.

The possibility of installing to a lift truck, tractor or loader allows to use it in agriculture, horticulture, as well as municipal companies and industrial plants.

Using the machine in other conditions will be construed as improper. Strict compliance with the requirements for the use of the machine, maintenance and repair according to the manufacturer's recommendations is a condition for the intended use.

The machine should be operated, serviced and repaired only by persons familiar with its specific characteristics and the rules of conduct in terms of safety.

Accident prevention regulations and all basic rules of work safety and hygiene, as well as traffic rules should always be followed.

Unauthorised changes in construction of the machine without the consent of the manufacturer, exempt the manufacturer from responsibility arising from any resulting damage.

4. Safety rules at work

Sweeper can only be operated by adults who are familiar with its operation and the contents of this manual and have the appropriate qualifications. Sweeper should be operated in compliance with all the precautions, in particular:

4.1 Usage of Sweeper

- Obey this manual instructions as well as the general principles of health and safety.
- Obey the machine's warning symbols.
- Sweeper can be operated by a person with licence to driving the vehicle to which it is mounted, according to the manufacturer's recommendations.
- Please note that there are many places on the machine that could cause injury (sharp edges, projecting parts, etc.). When working, keep extra precautions when moving around these critical places and absolutely use personal protective measures such as:
 - protective clothing,
 - protective gloves,



- protective footwear,
- protective glasses,
- Before working with the sweeper, please read the manual instruction, safety rules and recommendations for maintenance and adjustment.
- Sweeper must be equipped with all safety shields (specified by the manufacturer) before accessing to moving parts. Shields must be complete and fully functional.
- There is the risk of residual danger and therefore the safety rules and common sense should be the basic principle of the use of the machine.
- It is forbidden to operate the machine by persons under the influence of alcohol or other drugs.
- Never allow the vehicle operating the sweeper be driven by a person other than its operator, and in any case, do not let that while working, the others remained in the vehicle and near the machine.
- It is forbidden to use the machine contrary to its purpose. Using the machine for other purposes than is specified by the manufacturer is contrary to machine's purpose and may void your warranty. Manufacturer assumes no responsibility for any consequences arising from the improper use of the machine.
- If the information contained in this manual is unclear, please contact with your dealer or manufacturer.

4.2 Connection and disconnection of sweeper

- It is forbidden to connect the device to the carrier vehicle, if used hydraulic oils are of different types
- It is forbidden to connect the sweeper when the fastening of the suspension system is not compatible with the vehicle's fastening
- The carrier to which the machine will be connected to must be in technically working condition and comply with the manufacturer's conditions
- It is forbidden to reside, operate between the vehicle and machine. Assistants on sweeper's aggregating must be outside the danger zone and be always visible to the vehicle's operator
- While connecting and disconnecting the machine take precautions
- Sweeper disconnected from the vehicle must be based on all three supporting wheels, and stored on a flat, balanced, paved surface in a place inaccessible to bystanders and animals
- To connect the machine, use only original bolts
- When adjusting, do not put your fingers and limbs between the structural elements of the machine.



- Protective covers (three-point hydraulic system) of sweeper's bolts should be made only by means of conventional protection in the form of pins. Working with other protections is prohibited.

4.3 Hydraulic installation

- The hydraulic system during operation is under high pressure.
- Check the condition of connectors and hydraulic hoses regularly, any leaks or damages are unacceptable.
- In case of emergency, immediately discontinue using the machine until the fault is rectified
- Use oil recommended by the manufacturer, it is forbidden to use sweeper when in the vehicle is different type of hydraulic oil than in the machine
- In case of injury by a stream of oil, you should immediately go to the doctor. Hydraulic oil can cause infection. If the oil gets into your eyes, rinse thoroughly with water and contact your doctor. In case of oil's contact with skin, wash the place of dirt with soap and water. Do not use solvents (gasoline, kerosene)
- Used oil must be stored in sealed containers and periodically provided to the points running its purchase (disposal).
- Rubber hydraulic hoses must be replaced every 3 years regardless of the technical condition
- Repair and replacement of the elements of the hydraulic system should only be done by qualified person

4.4 The sweeper's transport

- When driving the vehicle with a mounted, not working sweeper, make sure about the safe transport height ~ 0.3 m.
- Take special care when traveling on public roads, and adapt to the applicable provisions of the highway code.
- Adjust transport speed according to the condition of the road surface, it should not exceed 20km / h.
- Carrying persons or objects on the machine is forbidden.
- Do not leave the vehicle with the sweeper on the slopes or other inclines without securing the vehicle against self-rolling. Put a chock under the vehicle's wheels of the vehicle chocks and apply the parking brake. Leave the machine during stopover.



- Inspect the operating condition for safety, in particular, the elements of the suspension system and hydraulic system
- Reckless driving and excessive speed may cause an accident.

4.5 Maintenance

- Upon sweeper's receipt and transport check that the machine has not been damaged by checking its technical condition.
- It is forbidden for persons to stay under the raised sweeper, you could be crushed by structural elements.
- Do not use unbuttoned, hanging working clothes during operation, assembly, disassembly, adjustment. Keep them away from the structural elements that can catch them.
- Due to the natural use you should monitor the condition of: bearings, bolted joints, hydraulic system components
- Before working on the hydraulic system, the residual pressure oil must be compensated for
- Any modifications to sweeper relieve "Talex-sj" manufacturer from responsibility for damages or personal injury
- It is forbidden to do any work (maintenance, repair) under the raised and unsecured machine
- Obey the general safety and health at work
- Repair, maintenance and cleaning works should be done only when the ignition key is taken out, the vehicle's parking brake is applied and protected against access by third parties
- When replacing parts, use only original manufacturer's spare parts, Talex-sj is not responsible for problems arising from the use of non-original parts
- In case of work requiring raising of sweeper use for this purpose approved mechanical or hydraulic jacks. After lifting the machine stable and strong supports should be additionally used. It is forbidden to work only under the carrier vehicle's suspension system and use supports from fragile elements (blocks, bricks, concrete blocks, etc.)
- After lubricating remove the excess of grease

4.6 Working with the machine

- Before starting the carrier vehicle, check that the installation of outer hydraulics is not running, which can lead to uncontrolled start of the machine
- Before lifting or lowering the machine, make sure that there are no bystanders (especially children) or animals nearby. The machine operator is obliged to ensure proper visibility and space to perform the operations
- Operator's work station while working with the sweeper is the cab of the vehicle, to which the machine is mounted to. It is forbidden to exit the cab during work.
- When filling the water tank, lower the machine to the working position and turn off the engine



Failure to follow these rules may pose a risk to the operator or bystanders and may cause damage to the sweeper. For damages resulting from non-compliance with these rules it is the user's responsibility.

4.7 The description of residual risk

The company Talex-sj put every effort to eliminate the risk of an accident. There is, however, some residual risk that could lead to an accident, and is connected mainly with the actions described below:

Table 1.

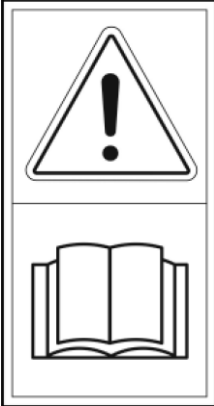

No.	Risk	Risk source (reason)	Measures to protect against risk
1	Overloading the musculoskeletal system (physical overloading)	Working in a standing position, stooped-forced, walking, moving	Getting acquainted with the manual, workplace training taking into account lifting standards while performing manual handling, proper techniques for lifting and lifting weights, using the help of another person, devices to facilitate movement such as a jack, winch
2	Fall on the same level (stumble, slip, etc.)	Uneven ground, mess – lying and standing objects, wires lying on the roads, slippery surfaces	Proper safety shoes, even ground, staying focused, keeping clean, reading the manual
3	Hitting fixed and sticking out parts of the machine	The machine and its surrounding	Proper setting of the machine, safe amount of space to move, proper organisation of work, staying focused, reading the manual
4	Being hit by moving objects	Objects, rocks, etc. thrown by the machine	Staying focused, marking the danger zone, prohibition of movement near the machine running, use of personal protective equipment – safety helmet, safety glasses, reading the manual
5	Dangerous sharp edges	Sticking out structural elements, using manual tools	Personal protective equipment – safety gloves, zipped overalls, exercising particular care
6	Hydraulic system	High pressure in the hydraulic system, bad	Prohibition of movement near the machine running and its regulation, exercising particular



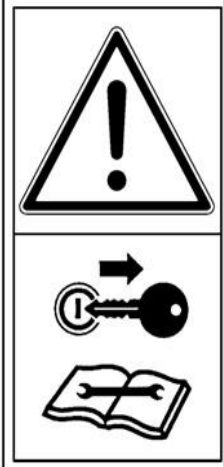

		condition of the hydraulic connectors and rubber hoses, leaks	care, use of protective equipment, use of protective glasses, regular checks of hydraulic system, reading the manual
7	The weight of the hung standing machine	Improper installation, agregation, improper setting of the machine, improper operation, leaving the machine hung on the carrier vehicle	Exercising particular care, use of personal protective equipment – safety shoes, safety gloves, safe installation of the machine, using help of other people, using jacks, cranes, reading the manual
8	Microclimate – changing weather conditions	Work done in various weather conditions	Proper overalls, drinks, sun creams, proper rest, reading the manual
9	Noise	Too high RPM of the machine, damaged, loose, vibrating parts	Working with fully-functional machine, ongoing inspections of the machine, setting proper RPM, reading the manual

4.8 Information and warning labels

All labels should always be clear and clean, visible to the user as well as for those who may find themselves near the machine. In the absence of any sign of safety or damage, it should be replaced with a new one. All elements that have safety labels exchanged during repairs to the new should be provided with these labels. Safety signs can be purchased from the manufacturer or retailer.

TABLE 2. Information and warning labels

No.	Symbol	Description
1		Before starting work, read the instruction manual
2		The liquid under high pressure. Keep a safe distance from the working machine.

3		<p>Risk of injury due to ejected items. Keep a safe distance from the working machine.</p>
4		<p>Do not approach or touch the rotating brushes</p>
5		<p>Turn off the engine and remove the key before starting maintenance or repair</p>
6	<p>16 MPa</p>	<p>Warning: pressure occurring in the hydraulic system</p>
7		<p>Places of sweeper grip when moving</p>



8		Commercial designation
---	---	------------------------

5. Design and Operation

5.1 Basic technical data

Table 3.

Model	Sweeper 1500	Sweeper 1800	Sweeper 2300
Sweeping width	1500	1800	2300
Recommended sweeping speed	5 km/h		
Type of operating elements	Roller brush + side brush (option)		
Propulsion	External hydraulics of carrier vehicle		
Theoretical capacity of the dirt container	165 l	195 l	245 l
Own weight	265 kg	280 kg	330 kg
RPM of the roller brush: -recommended -max	100 150 rev/min		
Capacity of the water tank	175 dm ³		
Number of spray nozzles	5+1	5+1	7+1
Power supply of the sprinkler system	12V or 24V from the socket of the carrier vehicle		
Overall dimensions without the side brush (length x width x height)	2000x1800x1200 (mm)	2000x2100x1200 (mm)	2000x2550x1200 (mm)
Overall dimensions with the side brush (length x width x height)	2450x2250x1200 (mm)	2450x2550x1200 (mm)	2450x3000x1200 (mm)

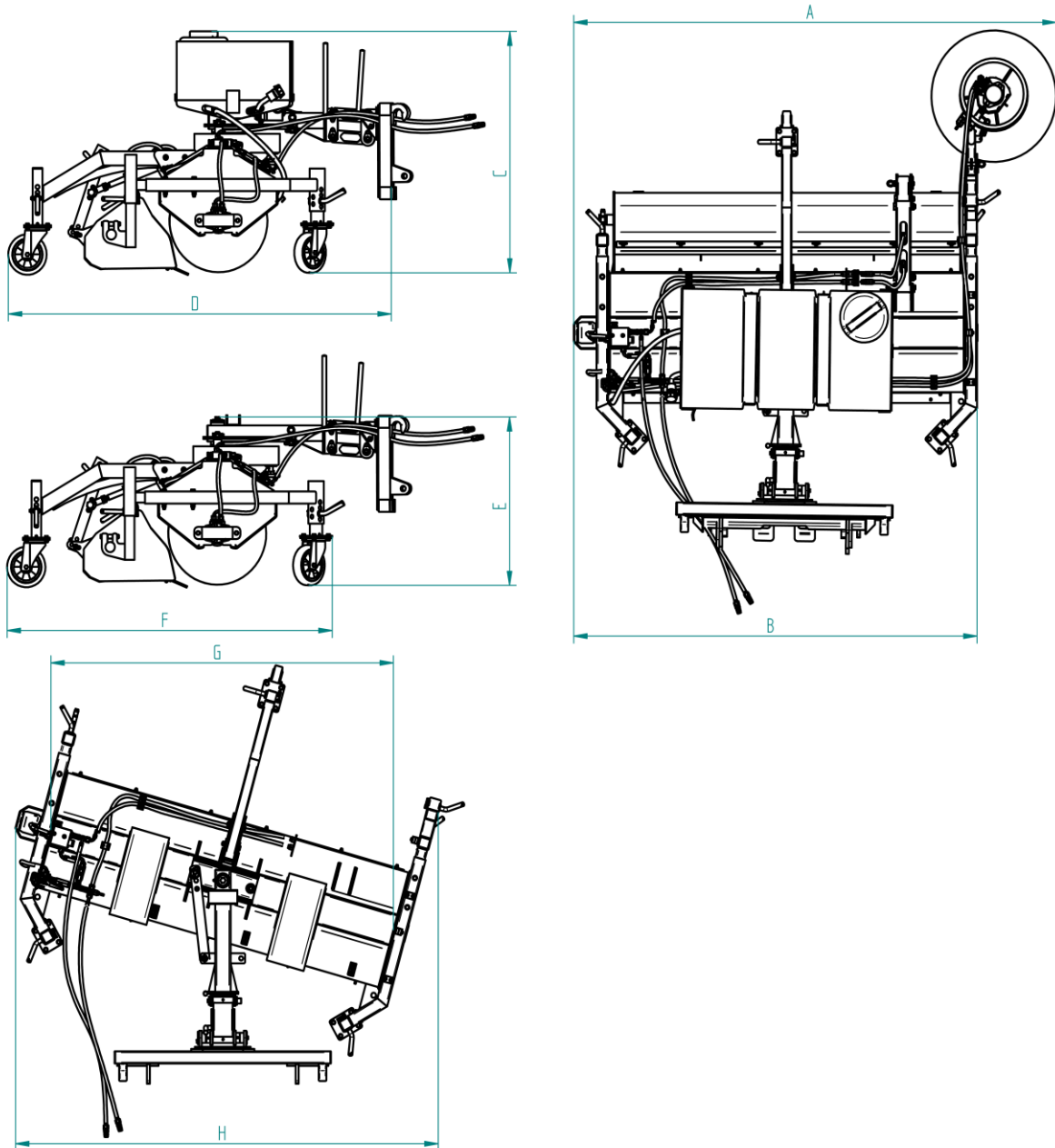


Table 4. Dimensions [mm]

Sweeper type		ZM-1500	ZM-1800	ZM-2300
Main brush width [mm]		1500	1800	2300
Side brush diameter [mm]		510		
A	Machine width with side brush	2215	2515	2965
B	Machine width without side brush	1805	2105	2555

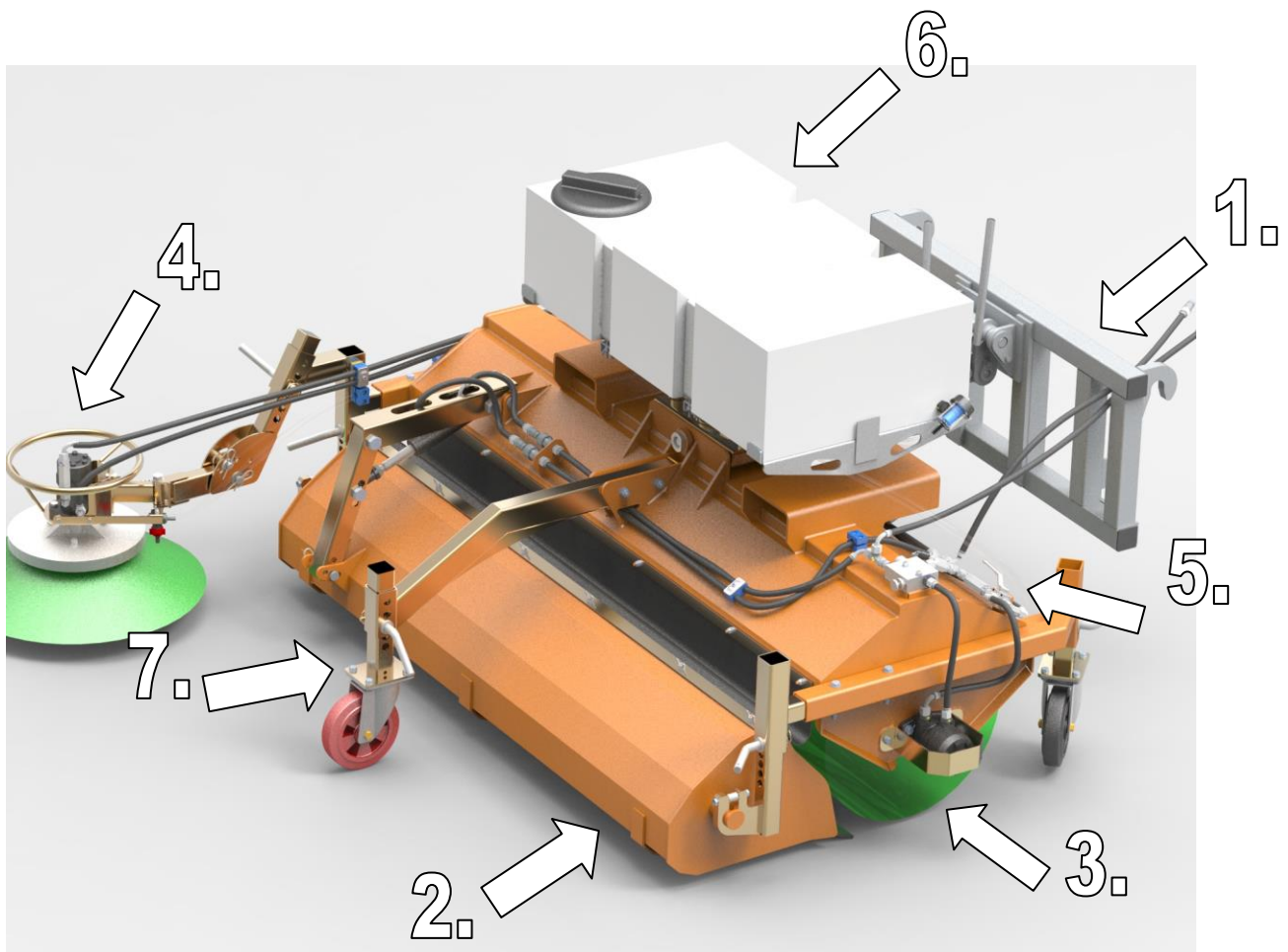


C	Machine height with water tank	1195		
D	Machine length with front loader mounting	2000		
E	Machine height without water tank	835		
F	Machine length without mounting	1700		
G	Working width with 15° tilt	1485	1785	2235
H	Machine width with 15° tilt	1905	2205	2655

Table 5. Weight [kg and capacity [l]

Sweeper type	ZM-1500	ZM-1800	ZM-2300
Sweeper without dustbin [kg]	265	280	330
Dustbin [kg]	75	90	100
Side brush [kg]	25		
Sprinkle system [kg]	45		
Front mounting TPL I cat. (II cat.) [kg]	80 (100)		
Rear mounting TPL I i II cat. (II i III cat.) [kg]	95 (105)		
Wheel loader mounting [kg]	Depends from loader type		
Dustbin capacity (theoretical) [l]	130	160	200
Dustbin weight filled in 70% of dry sand	137	168	213

5.2 General design of sweeper

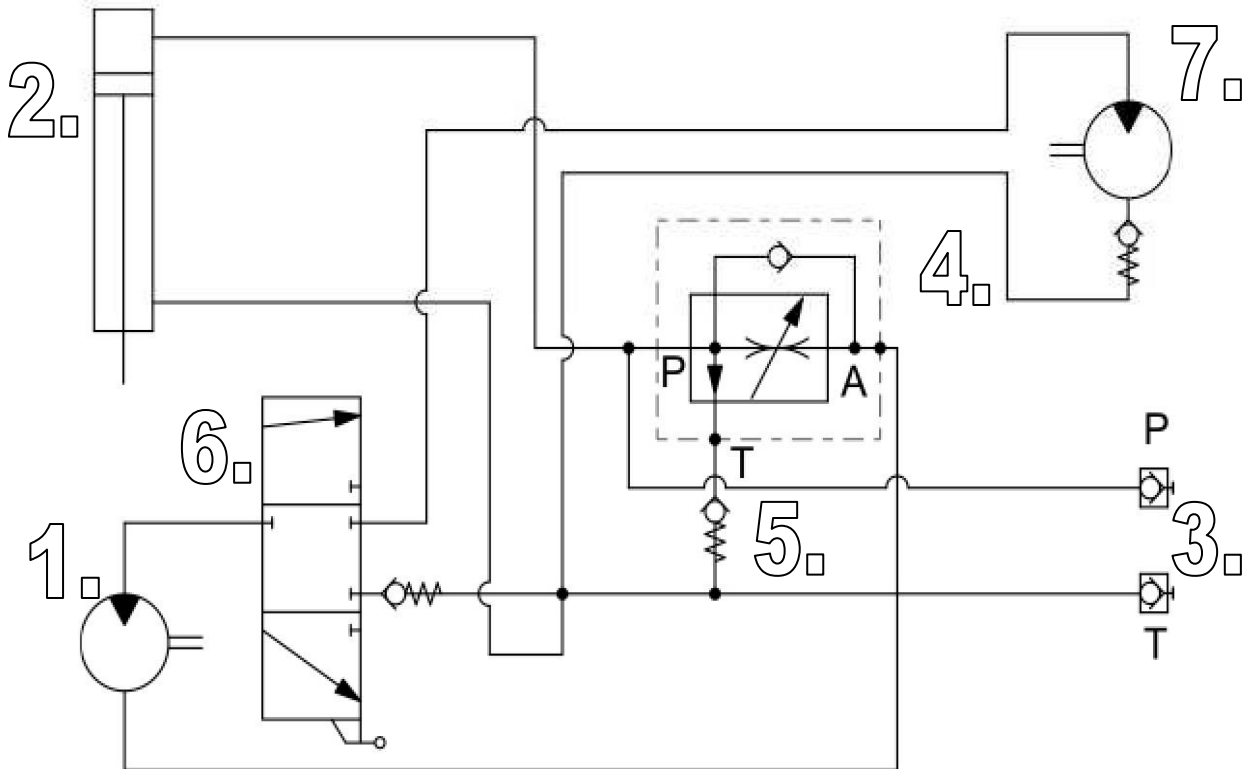


(1.) Suspension system; (2.) – Dirt tank; (3.) – Sweeping roller; (4.) – Side brush; (5.) – Hydraulic system; (6.) - Sprinkler; (8.) – Supporting wheel;

The sweeper's suspension system (1) mounted on the frame via pivot allows rotation and work before or after the carrier vehicle and the operation of the machine at an angle. The sweeping roller (3) driven by a hydraulic motor directs the dust to the tank (2), which emptying is carried from the operator's position by the hydraulic system (5). Sweepers additionally equipped with side brush (4) allow sweeping along walls or curbs. Controlling the sprinkler system (6) is carried out by the electrical system. Castor wheels are used to support the machine on the ground during work (7).

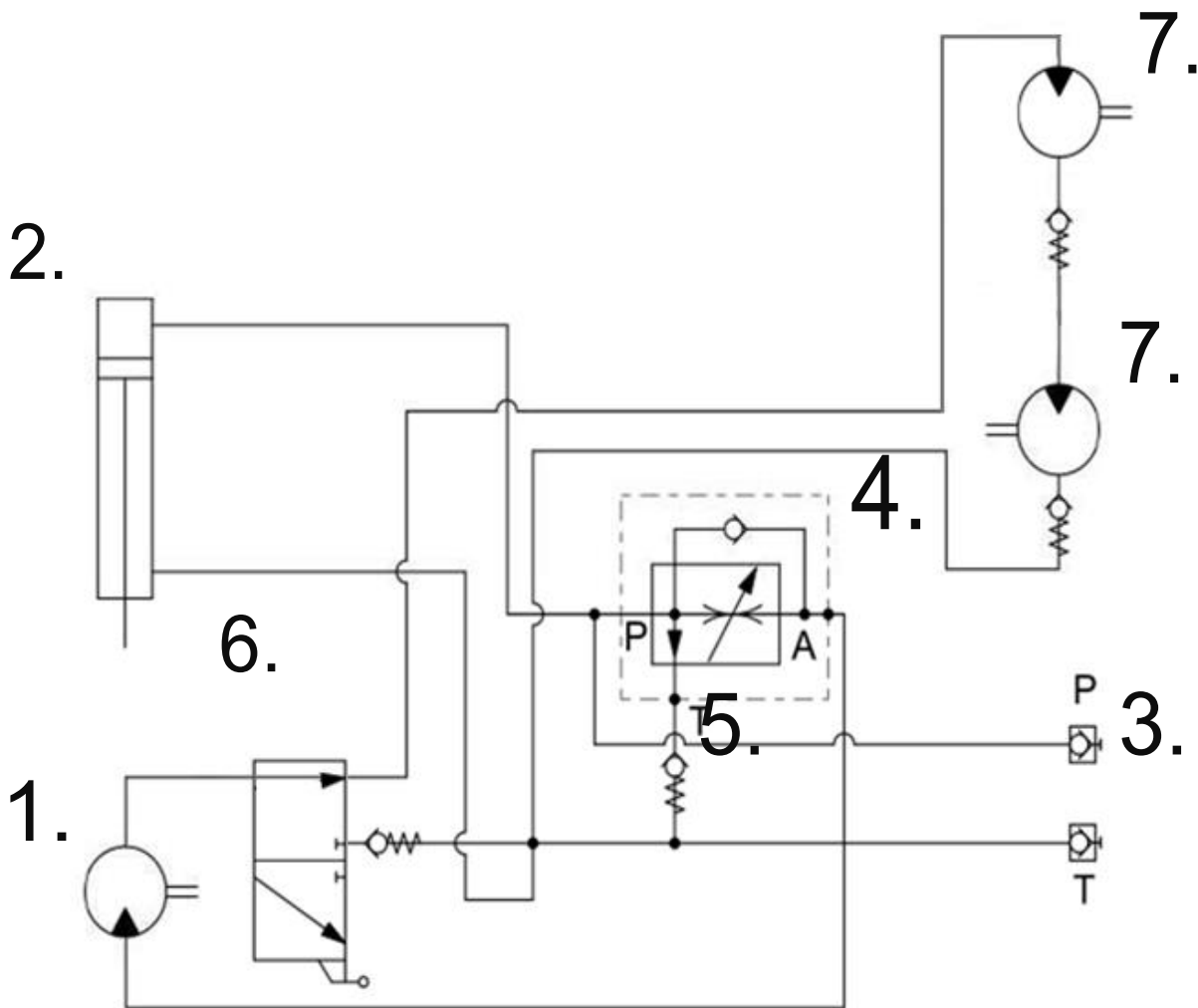
5.3 Construction and operation of the hydraulic system

5.3.1 Version with side brush and hydraulic dustbin



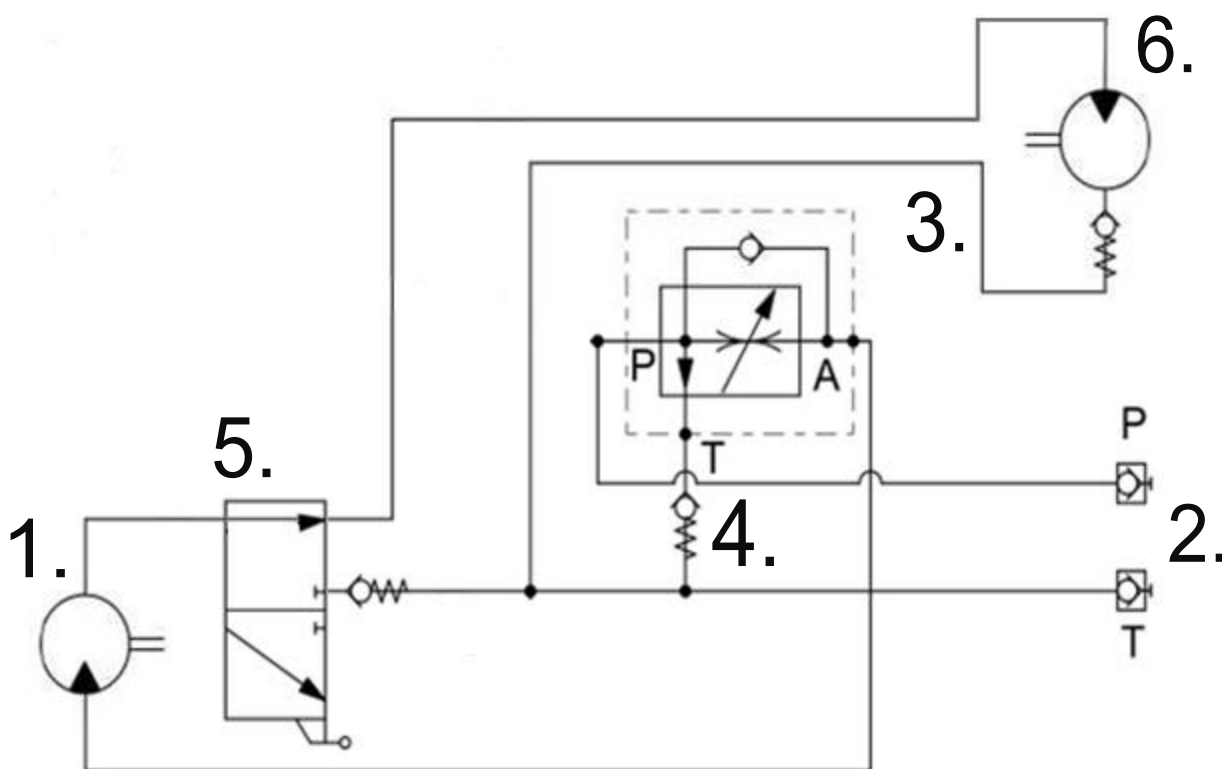
(1) - hydraulic motor of sweeping roller's drive; (2) - hydraulic cylinder of dirt tank's tipper; (3) - hydraulic couplings; (4) - flow regulator; (5) - non-return valve; (6) - three-way ball valve; (7) - hydraulic motor of side brush's drive

5.3.2 Version with two side brushes and hydraulic dustbin



(1) - hydraulic motor of sweeping roller's drive; (2) - hydraulic cylinder of dirt tank's tipper; (3) - hydraulic couplings; (4) - flow regulator; (5) - non-return valve; (6) - three-way ball valve; (7) - hydraulic motor of side brush's drive

5.3.3 Version with side brush and maual dustbin



(1)– hydraulic motor of sweeping roller’s drive; (2) – hydraulic couplers; (3) – flow regulator; (4) – return valve; (5) – three way ball valve; (6) – hydraulic motor of side brush drive



TALEX Spółka z ograniczoną odpowiedzialnością

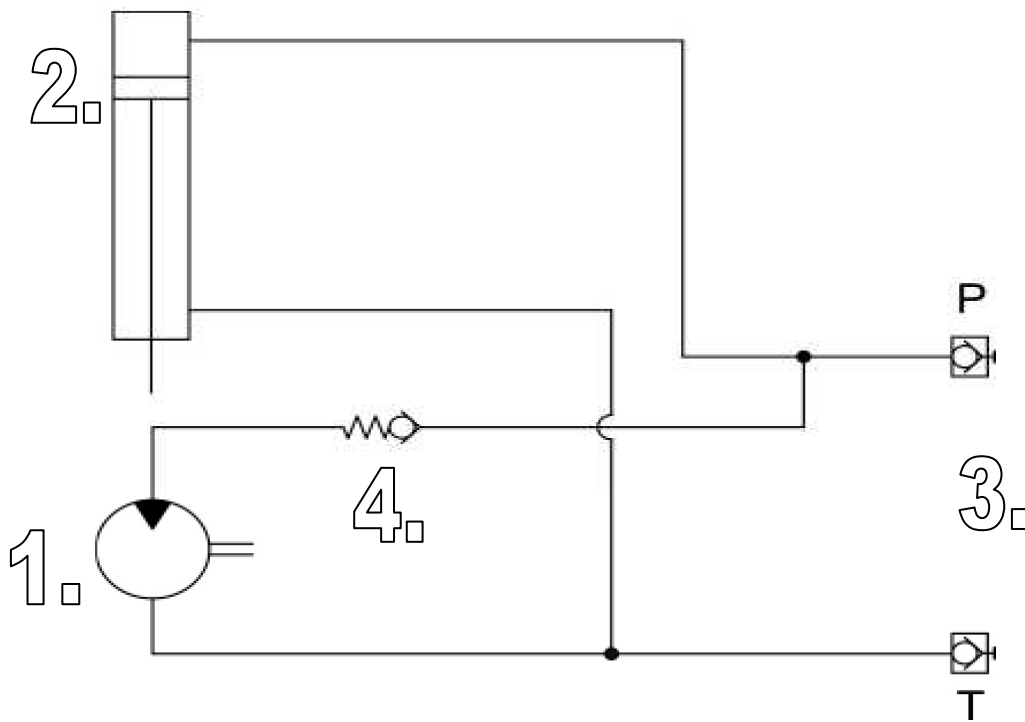
Spółka komandytowa

ul. Dworcowa 9c
77-141 Borzytuchom
tel. (59) 821 13 40

e-mail. biuro@talex-sj.pl

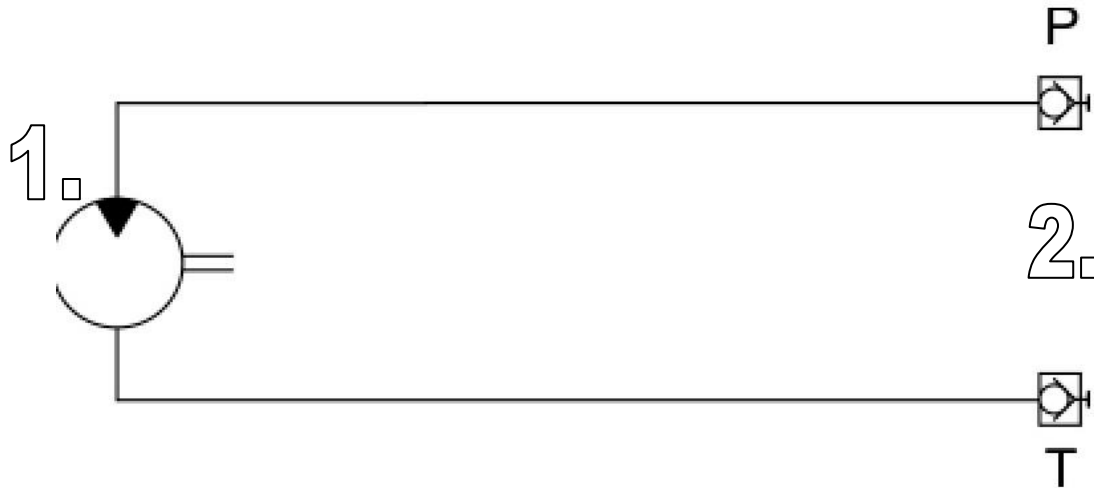
www.talex-sj.pl

5.3.4 Version with hydraulic dustbin



(1) - hydraulic motor of sweeping roller's drive; (2) - hydraulic cylinder of dirt tank's tipper; (3) - hydraulic couplings; (4) - non-return valve

5.3.5 Standard version



(1) - hydraulic motor of sweeping roller's drive; (2) - hydraulic couplings

The duties of the user associated with the hydraulic system operation include:

- leakage checking of cylinder and hydraulic connections;
- check the technical condition of hydraulic hoses and couplings;

The hydraulic system should be completely tight. Check seals locations, if you see a leak, stop using the machine until the fault has been rectified.



Danger

Do not attempt to repair the hydraulic system on your own, repairing any defects must be performed by trained personnel.



Danger

Before working, reduce the residual pressure
During work, use personal protective equipment, ie. Protective clothing, footwear, gloves, goggles. Avoid oil contact with eyes and skin. In the event of injury or irritation, rinse with plenty of water and consult a doctor.



ATTENTION

Hydraulic oil in the form of oil mist is harmful to the respiratory tract

**ATTENTION**

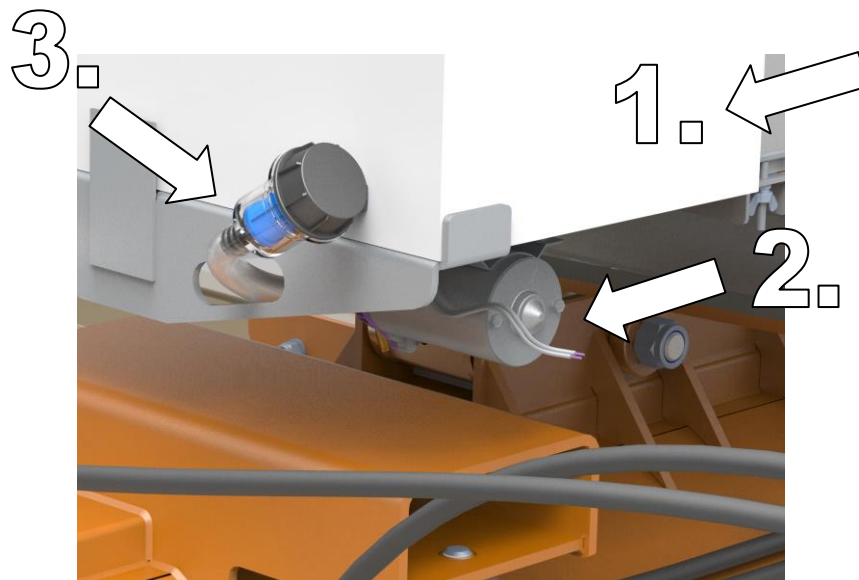
In case of fire toxic compounds are released, the fire should be extinguished using carbon dioxide (CO₂), foam or extinguishing steam, in any case, do not use water !!!

For work with the new sweeper, the manufacturer recommends the use of hydraulic oil HL32.

Table 6 Characteristics of hydraulic oil HL32

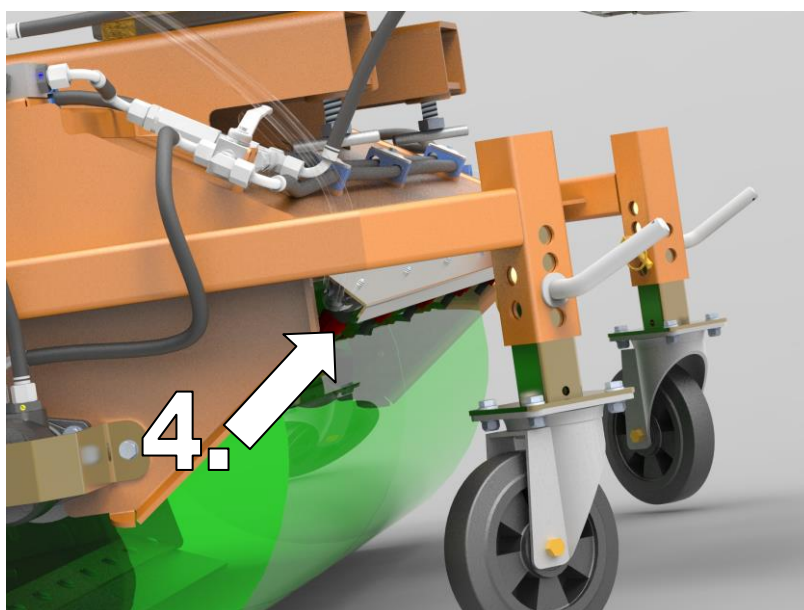
NO.	TITLE	VALUE
1	Viscosity classification acc. to ISO 3448VG	32
2	Kinematic viscosity at 40 ° C	28.8 - 35.2 mm ² /s
3	Quality classification acc. to ISO 6743/99	HL
4	Quality classification acc. to DIN 51502	HL
5	Flash-point, ° C	above 210
6	Maximum operating temperature, ° C	80

5.4 Desing and operations of sprinkler system



The main elements of a sprinkler system are water tank (1) water pump (2) water filter (3) spray nozzles (4) placed on the strip spray behind the sweeping roller and on the attachment of side brush effectively prevent the formation of dust during machine operation. Controlling the system is done via a plug connected to the vehicle's electrical system.

Operation of the sprinkler system involves periodic review of the water system as well as cleaning water filter located on the suction hose (it is recommended to clean once a year, the frequency of cleaning depends on the degree of dirt in water) and strainers located in the nozzles.



6. Preparing for work

Before starting work:

- make a visual assessment of the sweeper's condition, if you detect any defects promptly remove them
- attach the sweeper onto the carrier vehicle,
- connect the sweeper's hydraulic hoses to sockets of one section hydraulic distributor outside the vehicle,
- lift up sweeper at about 30 cm from the ground to check the accuracy of couplings' connection, if the sweeping roller will rotate in the wrong direction or it will not rotate, then switch places of couplings' pins,
- set sweeper so that it is based on all three supporting wheels, suspension components marked with a red arrow in Fig. They have to be in the middle position as shown in the figure, which allows for independent work of sweeper in relation to the carrier vehicle

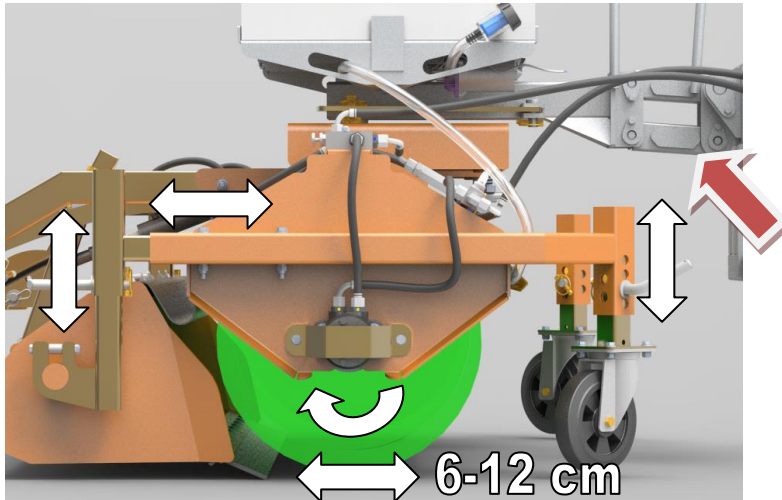


DANGER

During the aggregate, do not stand between the machine and the vehicle. The person who helps to aggregate the machine should be placed outside the danger zone and be visible all the time for the operator.

7. Proper installation of the sweeper

7.1 Roller brush



Roller brush should be installed properly. The installation of the roller brush and the tank should be done simultaneously.

The working surface of the roller brush should be set between 6 and 12 cm (Look, picture 1).

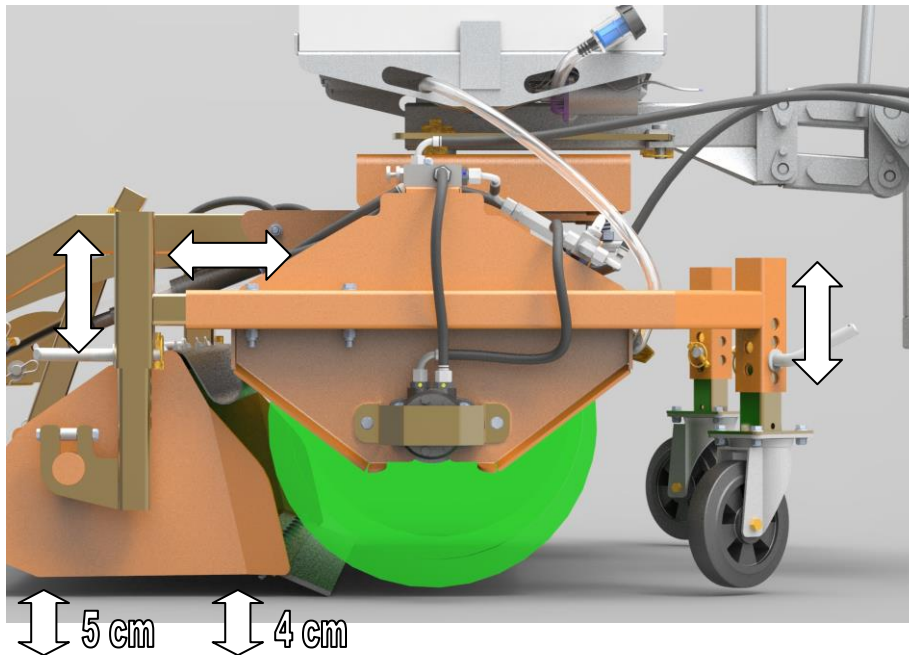
Depending on the amount of impurities, the push may be set individually. The setting of the push is done by moving converging wheels in the rails. The mounting of the tank and servomotor should be set before each usage.



Attention:

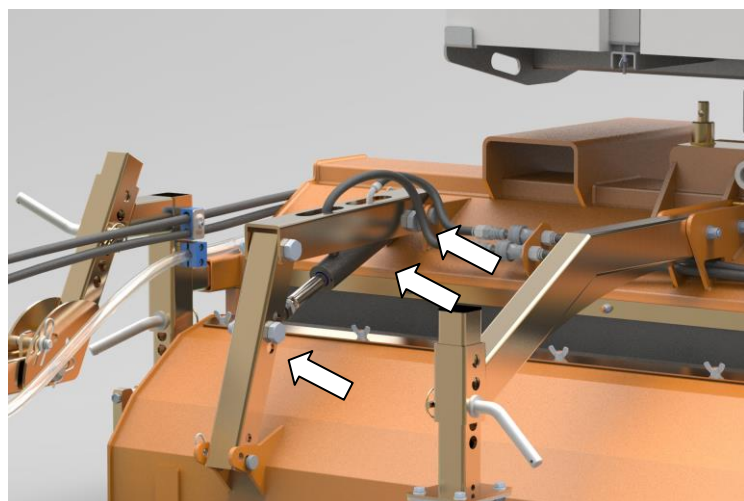
During the installation of the roller brush pay attention to the same setting of push on the whole length of the roller. Uneven installation causes faster wear of the roller brush.

7.2 Dustbin



The height of dustbin should be set between 4-5 cm with a slight lean towards the swept surface. The regulation of the lean of the spoon is done by screwing or unscrewing rod tip or Roman screw, depending on the version. In case the roller brush is worn, or when the push of the brush is too small, you should:

- lower and set proportionally the height of the tank in the rails in relations to the support wheels (front and back)
- tighten the tank against the roller brush. To do so, you must unscrew 4 screws M12x90, move the rails towards the brush and tighten the screws
- proper regulation of the servomotor in the regulatory holes (actuator arm, dirt tank)

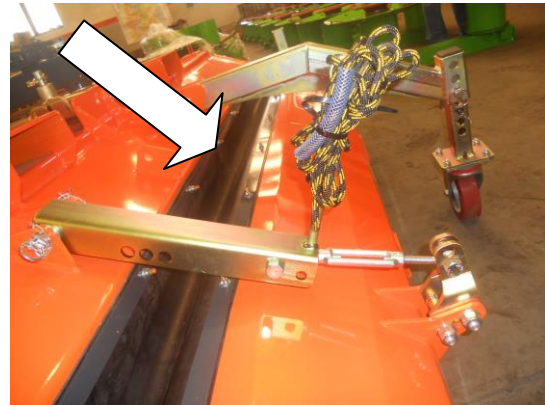


ATTENTION:

Too big push of the brushes against the cleaned surface causes faster wear of the brushes

7.2.1 Manual emptying of dustbin

Dustbin opening and closing is done by pulling the cord which causes the joint to break in order to open and close.



7.2.2 Hydraulic emptying of dustbin

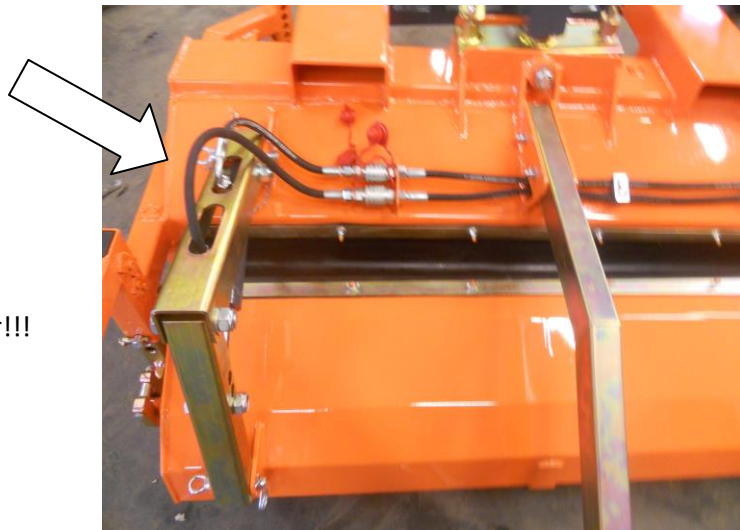
The dustbin emptying is made via the change of the direction of oil in the hydraulic system where the return of oil creates the pressure needed for bin opening.

After the dustbin emptying the original oil circuit is re-set in order to allow the sweeper to work.



ATTENTION:

Dustbin opening and closing can be performed only with raised sweeper!!!



7.2.3 Sweeper's work without the dustbin

We can easily dismantle dustbin to use the sweeper to work without bin as well as re-install it.

When using dustbin with manual emptying





TALEX Spółka z ograniczoną odpowiedzialnością

Spółka komandytowa

ul. Dworcowa 9c
77-141 Borzytuchoń
tel. (59) 821 13 40

e-mail. biuro@talex-sj.pl

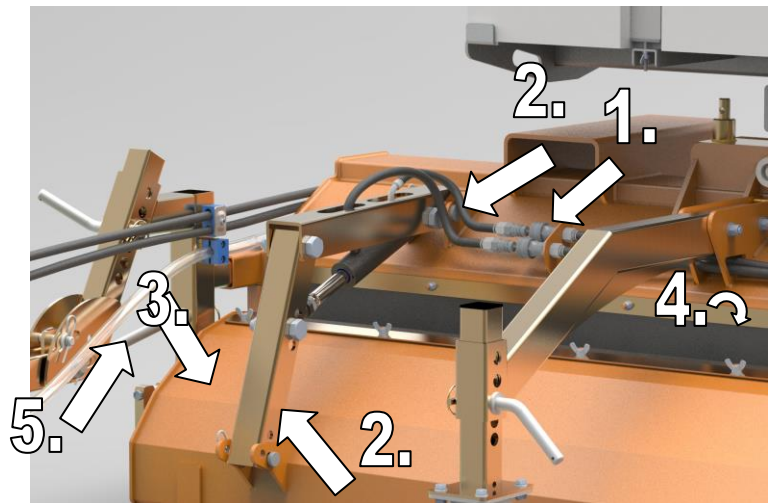
www.talex-sj.pl

Hinge for opening and closing the bin, guide should be loosen bolts and then take out the bolts pins blocking in the body. Then remove the protective sleeve (secured with screws M10x90) from the guide. Lift up the bin so that it is possible to retrieve from the rails. To refit the dustbin the operation should be done in reverse order and adjusted.

When using the dustbin with hydraulic emptying

Disconnect the servomotor from the installation by unplugging the servomotor where the quick release "Push Pull" clutch bushings are mounted, (1) next, remove upper and lower bolt (2) of the servomotor mounting, secured with the "B" type cotter (3)

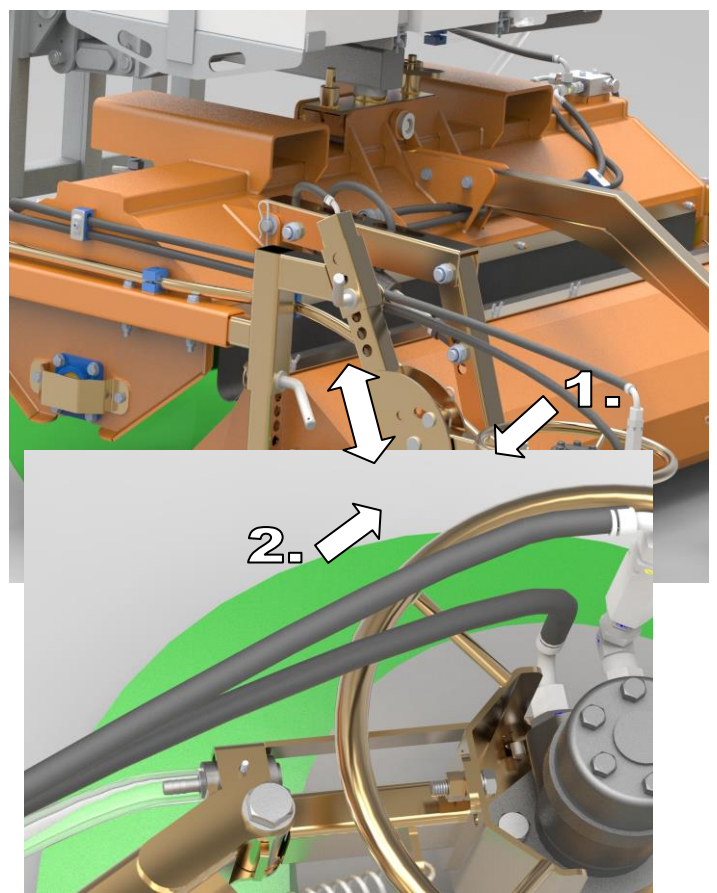
Unscrew the M8 wingnuts of the dirt tank's rubber screen, remove the pressing bar, put the lower holes of the rubber screen on the body screws and secure them with M8 wingnuts (4). Next, unscrew M10x90 nuts (5) in order to remove the locking and remove the bath from the rails.



Attention: Do not remove the screen completely. The rubber screen secures from the stones and other materials that the sweeper may throw during the operation without the bath.

7.3 Side brush

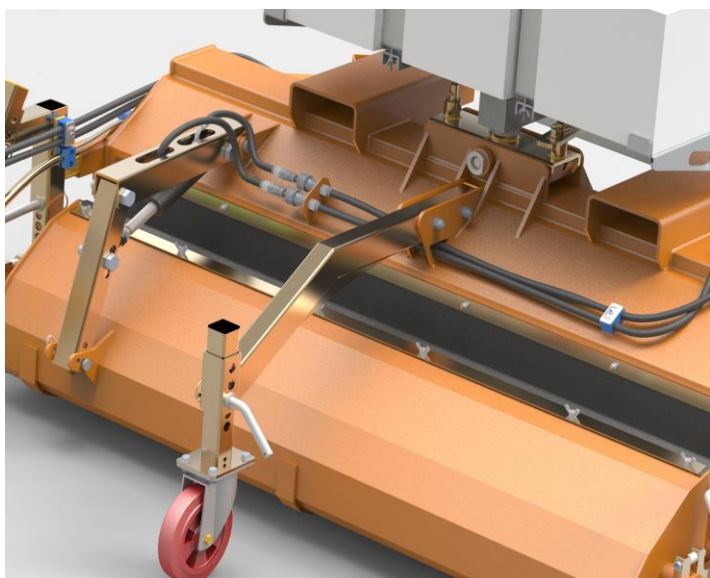
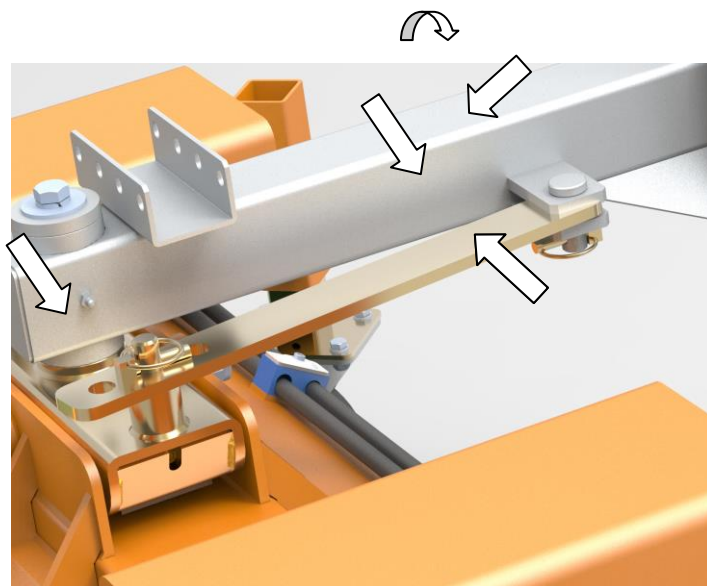
Setting the height of the side brush is performed by change of the position in the holes. By setting the correct height of the brush the optimal wear of the brush is set. The push of the brush is regulated with M10x30 adjusting screw placed above the arm of the brush. Loosen the M10x30 screws (2 pcs.) and turn the rack clockwise. The brush should be set the way 1/3 of its surface touch the ground. Fasten the screws.



When there is no need to use the side brush, remove the pin (1) lift the brush and secure it with the pin in the hole (1) and change the position of the ball valve to close the flow of the hydraulic fluid to the brush.

7.4 Angling

Angling is possible only when the sweeper works without the dirt tank. Remove the plugs and the pin and move the flat bar to the first or the last hole (depending on the direction of the sweeping) and secure the pins. In order to restore the original setting move the flat bar to the middle hole.



7.5 Third supporting wheel

When using the sweeper with third supporting wheel it should be noted that the sweeper was based entirely on three wheels as well as not to be based on the coupling, which would limit its movement.

Picture 11: Third supporting wheel



When operating and shutdown the sweeper without dirt tank

While operating and shutdown: After connecting the sweeper to vehicle and Turing shutdown. The front supporting wheel must be fitted!!!

Reason: If the front supporting wheel will not be fitted, the whole machine weight will Rest on roller brush and cuase its deformity.

8. Maintenance and replacement of parts

8.1 Assembly and disassembly of roller brush

Before replacing, make sure that the sweeper is disconnected from the power supply and the resulting pressure in the hydraulic system has been released.

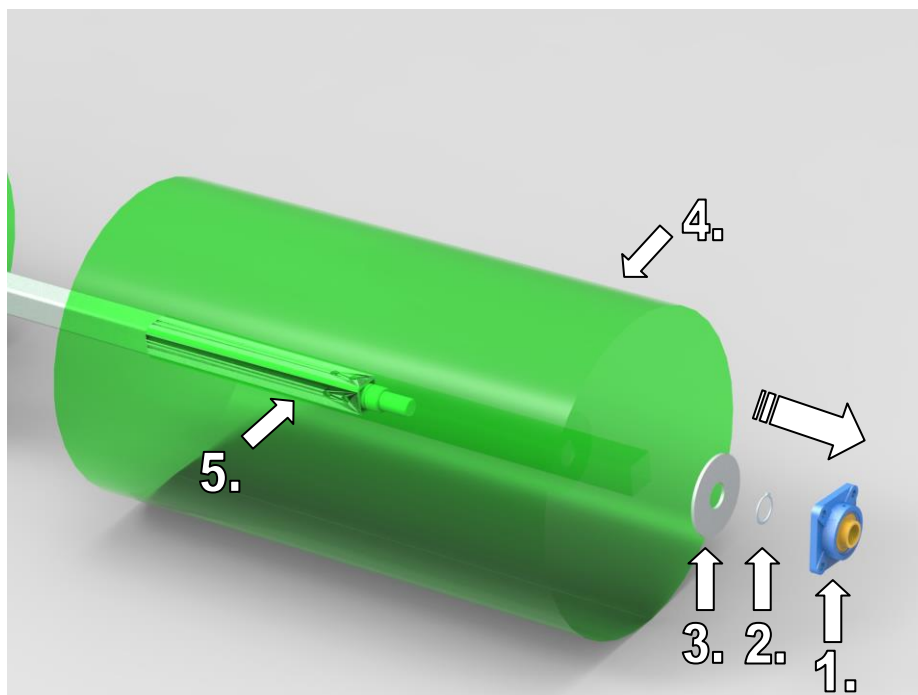
8.1.1 Hydraulic engine:

Unscrew the fixing screws of engine cover and next the hydraulic engine with the body. Attention !!! This operation does not need removing the hydraulic motor from the shaft, instead unscrew the engine's hydraulic hoses.

8.1.2 Bearing unit:

Unscrew the cover screws of bearing unit (1) from the body. Bolt securing the longitudinal movement need to be loosened using the 4 mm Allen key and unscrew the bolts connecting the bearing cover with the body. Cover with bearing remove from the shaft. Lift the machine (eg. using a forklift), secure with stable supports. Then remove the retaining ring Z40 (2) and remove the flange securing (3) longitudinal move of brush's segments (4) - which allows for the exchange of individual segments of the roller brush by sliding them out of the shaft (5).

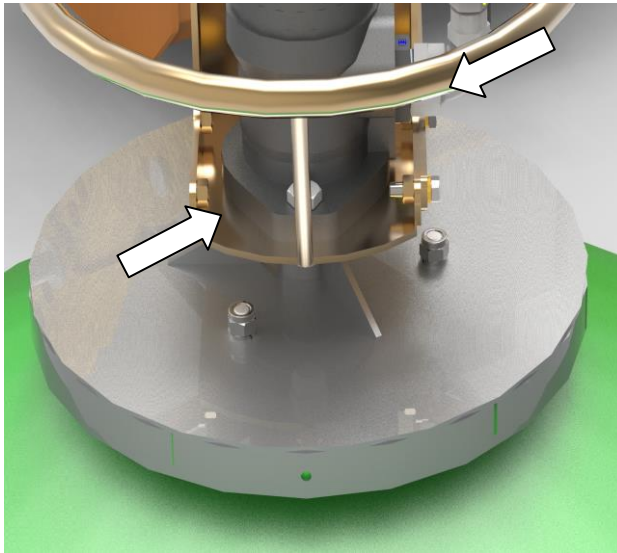
During assembly carry out the same action, but in reverse order. Use new washers under screws and new retaining ring.



Attention:

- Pin of shaft should be lubricated before installation.
- It should be noted that the brush roller has not twisted during assembly.

8.2 Installation and replacement of side brush



Unscrew M10x40 screws (3 pcs.) to disassembly the side brush. Remove the worn brush and replace with new one and then rescrew the screws.

Table 8

Strength	6.8	8.8	10.9	12.9
Metric thread	Tourque [Nm]			
M5	4,5	5,9	8,7	10
M6	7,6	10	15	18
M8	18	25	36	43
M10	37	49	72	84
M12	64	85	125	145
M14	100	135	200	235
M16	160	210	310	365
M18	220	300	430	500
M20	310	425	610	710
M22	425	580	820	960
M24	535	730	1050	1220

9. Defects and methods of repair

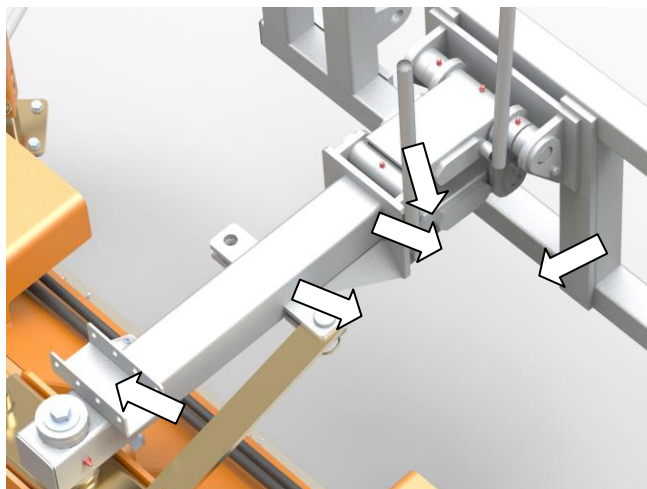
Table 9



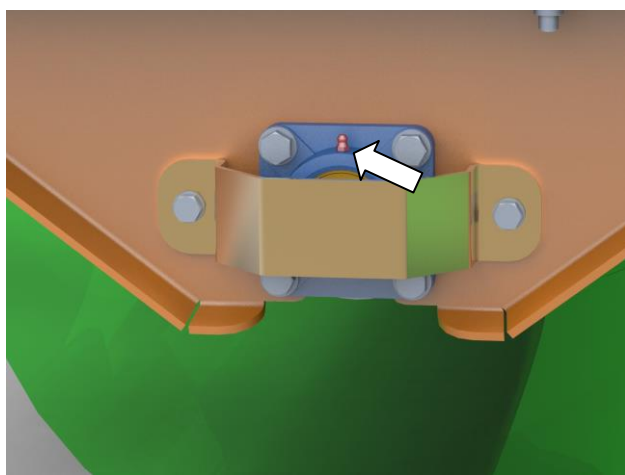
TYPE OF DEFECT	REASON	METHOD OF REPAIR
Sweeping roller does not rotate or rotates in the wrong direction	Not connected or incorrectly connected hydraulic system	Check connection
	Not operated or incorrectly operated circuit of vehicle's hydraulic system	Include correct hydraulic circuit in the vehicle
	Damaged hydraulic system	Report to the service centre
Side brush does not rotate	Not connected or incorrectly connected hydraulic installation	Check connection
	Side brush's driver turned off	Turn on the brush drive's lever distributor
	Damaged hydraulic system	Report to the service centre
Side brush rotates too slow or too fast	Incorrectly adjusted oil flow regulator in the sweeper's installation	Set the brush's rotation using knob of oil flow regulator
Dust tank does not open or does not close	Not connected or incorrectly connected hydraulic installation	Check connection
	Not operated or incorrectly operated circuit of vehicle's hydraulic system	Change the direction of oil flow in the hydraulic circuit using the distributor's lever in a vehicle
Sprinkler system does not work	Sprinkler system does not work	Connect the plug to the socket of vehicle's electrical system
	Not connected electrical installation of water pumps power	Check the connection plug's socket in the vehicle
	Lack of water in the tank	Make up with water
	Plugged sprinkler system	Check the efficiency of the system, clean the mesh cartridges of water filter and sprinklers
	Damaged water pump	Report to the service centre
Sweeper does not collect the dirt correctly	Too low rotation speed of sweeping roller	Increase the engine speed
	Incorrectly set pressure of the sweeping roller	Adjust according to instruction
	Incorrectly set dirt tank	Adjust according to instruction
	Incorrectly set side brush	Adjust according to instruction
	Too high speed driving	Adapt the speed of driving
	Dirt tank is full	Empty the tank
	Excessively worn brushes	Change

Rapid wear of brushes	Incorrectly set pressure of the sweeping roller. Incorrectly set side brush	Adjust according to instruction
Throwing dirt from the sweeper	Too high rotation of brushes. Incorrectly set brushes. Incorrect setting on the vehicle	Check and adjust according to instruction

10. Lubrication points



Lubrication points of the suspension system should be lubricated at least once a week with machine grease ŁT43



Lubrication point on shaft bearing (Assuming continuous use for 8 h) should be lubricated everyday before work with machine grease ŁT43

11. After season maintenance

It covers all the activities listed in point: service after work. In addition, the machine should be stored under a roof on a flat and firm surface. Pay attention to the tightness of the paintwork. In case of loss must be cleaned and fill by applying a fresh coat of protective paint.

12. Disassembly, scrapping and environment protection



Protect your hands (body) against injury and harmful effects of grease, oil. Wear protective gloves and tools in good condition. Machine parts, which during disassembly can move or rotate must be adequately protected.

Worn or damaged parts obtained during repair (scrapping) must be stored in a separate location with limited access of people and animals. Worn parts must be delivered to the scrap yards. Worn plastic parts must be sent to a storage point (disposal) of chemical waste.

At the time of refilling or change of oil do not allow to spill it. Used oils should be stored in sealed containers and periodically provided to the points that purchase them (disposal).



Abandoned parts or machine elements, spilled oil may result in accidents and cause environmental pollution and violate applicable laws.

SPARE PARTS ORDERING:



While placing an order, provide the following:

- Ordering party's address,
- Exact shipping address (together with the machine location and collection method),
- Payment terms,
- Serial number and the year of construction of the sweeper (provided on the nameplate),
- Exact name of the spare part,
- Number of ordered parts.



Spare parts shall be ordered in authorized outlets or directly from the producer. Utilization of original parts is the only warranty of safe and reliable operation of the machine. The usage of unoriginal parts or fixing of damaged components shall result in the warranty being deemed null and void.

NOTE!

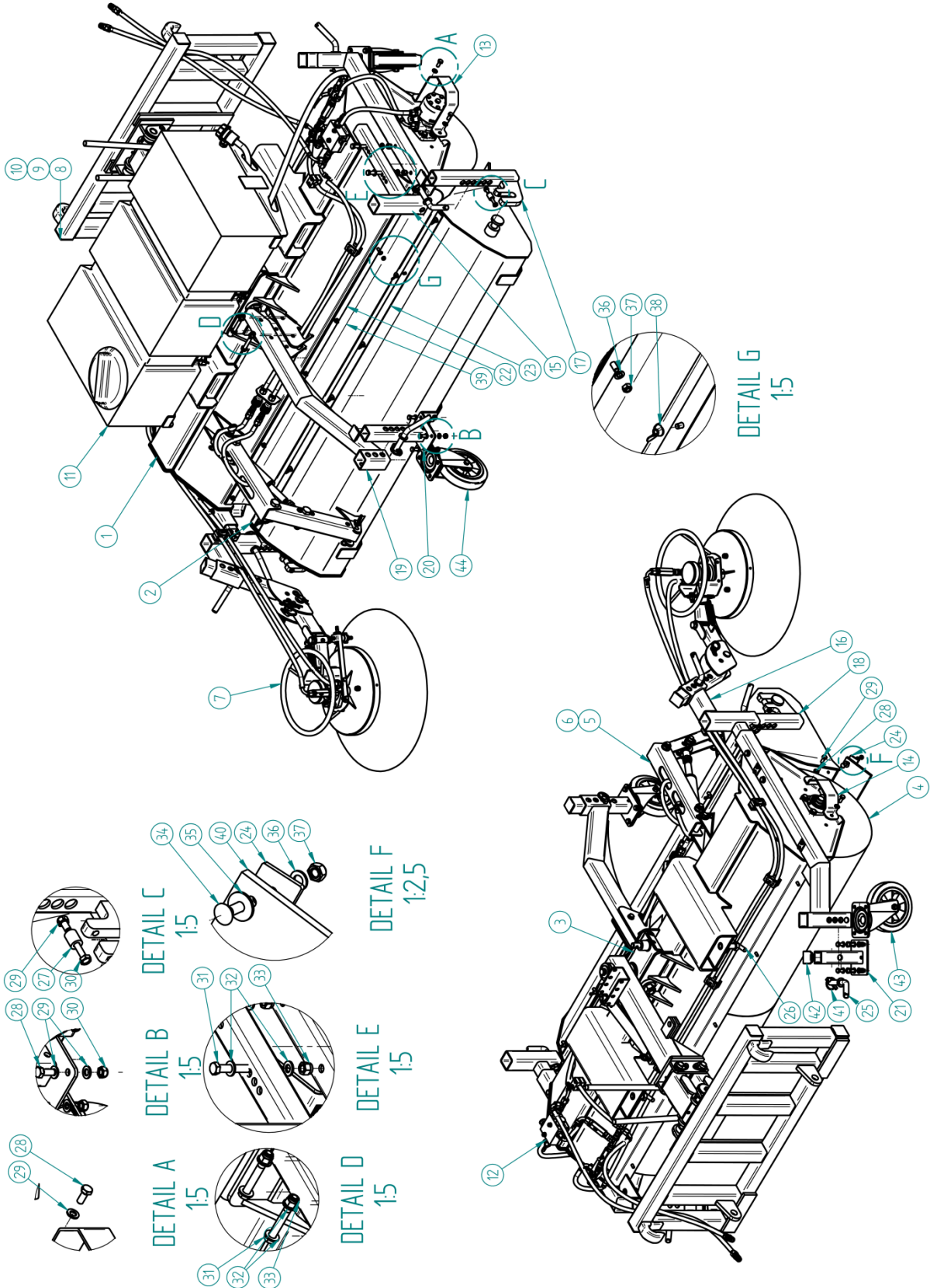
User's guide and this spare parts catalog are integral parts of the equipment of the device!

If they have been lost or damaged, new ones should be ordered in an authorized outlet or directly from the producer.

While selling or renting the device to other operator, this spare parts catalog shall be provided together with the machine in question.

Producer reserves all rights to this spare parts catalog.

Copying and modifying the catalogue or its parts without the direct consent expressed by the producer is strictly forbidden





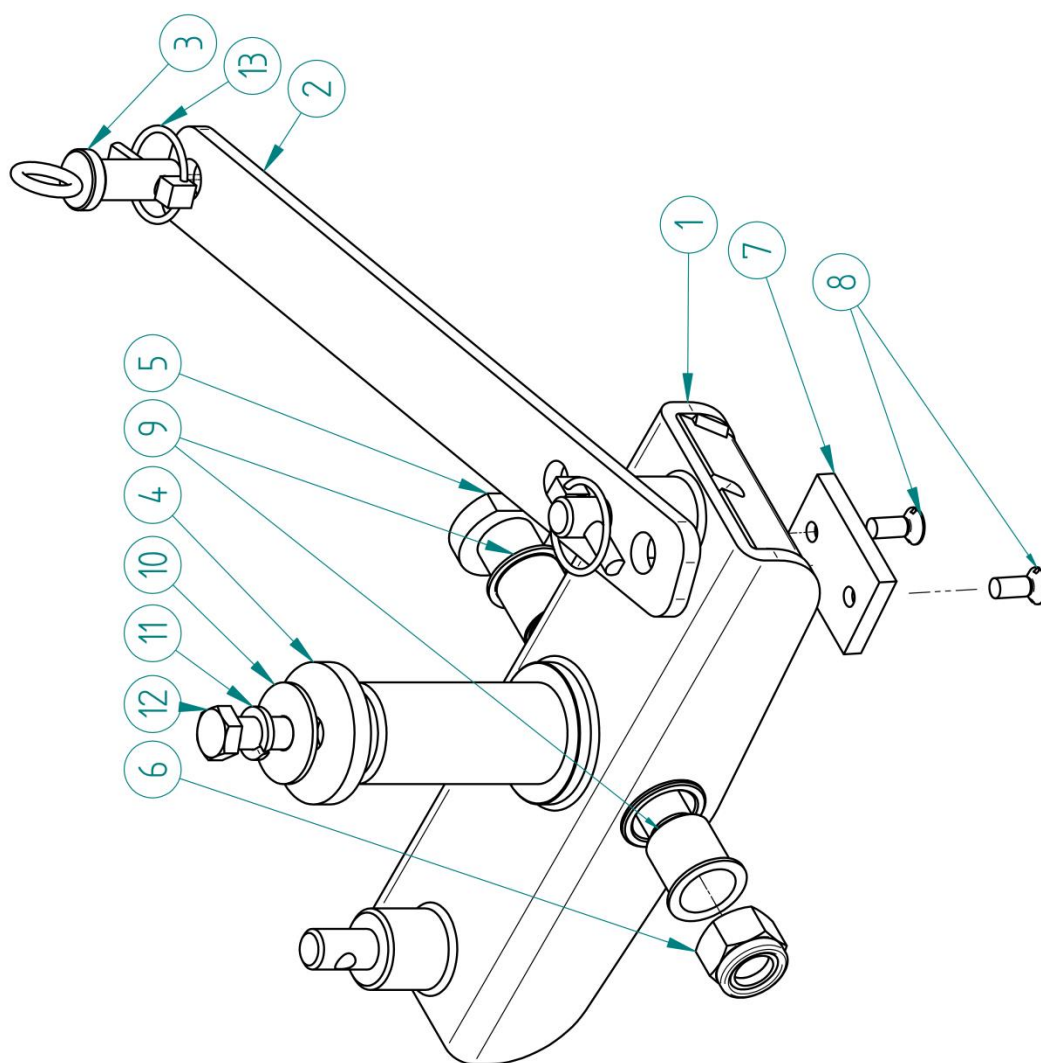
Sweeper			Pieces per machine			
			Sweeper type			
No.	Part no./Index	Part name	L-1200	L-1500	L-1800	L-2300
1.	P601302	Body				
	P601202	Body		1		
	P601122	Body			1	
	P601402	Body				1
2.	P602391	Dirt container	1			
	P602303	Dirt container		1		
	P602103	Dirt container			1	
	P602401	Dirt container				1
3.	Section 14.2	Suspension	1	1	1	1
4.	Section 14.3	Working shaft	1	1	1	1
5.	Section 14.4	Hydraulic dirt removal	1	1	1	1
6.	Section 14.5	Manual dirt removal	1	1	1	1
7.	Section 14.6/14.7	Side brush	1	1	1	1
8.	Section 14.8	Suspension system - Euro	1	1	1	1
9.	Section 14.9	Suspension system – Front three-point hitch (1 st or 2 nd category)	1	1	1	1
10.	Section 14.10	Suspension system - Back three-point hitch (1 st and 2 nd or 2 nd and 3 rd category)	1	1	1	1
11.	Section 14.11	Sprinkler system	1	1	1	1
12.	Section 14.12	Hydraulic system components	1	1	1	1
13.	P601075	Hydraulic engine cover	1	1	1	1
14.	P601078	Bearing system cover	1	1	1	1
15.	P602124	Body guide	1	1	1	1
16.	P602131	Body guide with side brush attachment	1	1	1	1
17.	P602142	Dirt container handle - left	1	1	1	1
18.		Dirt container handle – right	1	1	1	1
19.	P601038	Front wheel frame	1	1	1	1
20.	P601035	Front wheel attachment		1	1	1
21.	P601062	Back wheel attachment		2	2	2



22.	P601355	Set bar - Body	1			
	P601257	Set bar - Body		1		
	P601058	Set bar - Body			1	
	P601457	Set bar - Body				1
23.	P602395	Set bar – Dirt container	1			
	P602314	Set bar – Dirt container		1		
	P602114	Set bar – Dirt container			1	
	P602405	Set bar – Dirt container				1
24.	P601355	Set bar – rubber blade	1			
	P601257	Set bar – rubber blade		1		
	P601058	Set bar – rubber blade			1	
	P601457	Set bar – rubber blade				1
25.	P601048	Securing pin	6	6	6	6
26.	T000792	Forklift securing screw	2	2	2	2
27.	P602145	Container guide case	2	2	2	2
28.	T000740	M10x25 screw	12	12	12	12
29.	T000456	10 flat washer	28	28	28	28
30.	T000292	M10 sel. nut	14	14	14	14
31.	T000763	M12x90 dr. screw	6	6	6	6
32.	T000458	12 flat washer	12	12	12	12
33.	T000291	M12 sel. nut	6	6	6	6
34.	T000806	M8x25 round head screw	9	11	13	16
35.	T000443	8 flat washer ext.	10	11	13	16
36.	T000471	8 flat washer	17	17	19	25
37.	T000256	M8 sel. nut	17	17	19	25
38.	T000287	M8 wing nut	6	6	6	9
39.	T000059	L-1200 rubber shell protector	1			
	T000060	L-1500 rubber shell protector		1		
	T000061	L-1800 rubber shell protector			1	
	T000062	L-2300 rubber shell protector				1
40.	T000054	L-1200 container's rubber blade	1			
	T000055	L-1500 container's rubber blade		1		
	T000056	L-1800 container's rubber blade			1	

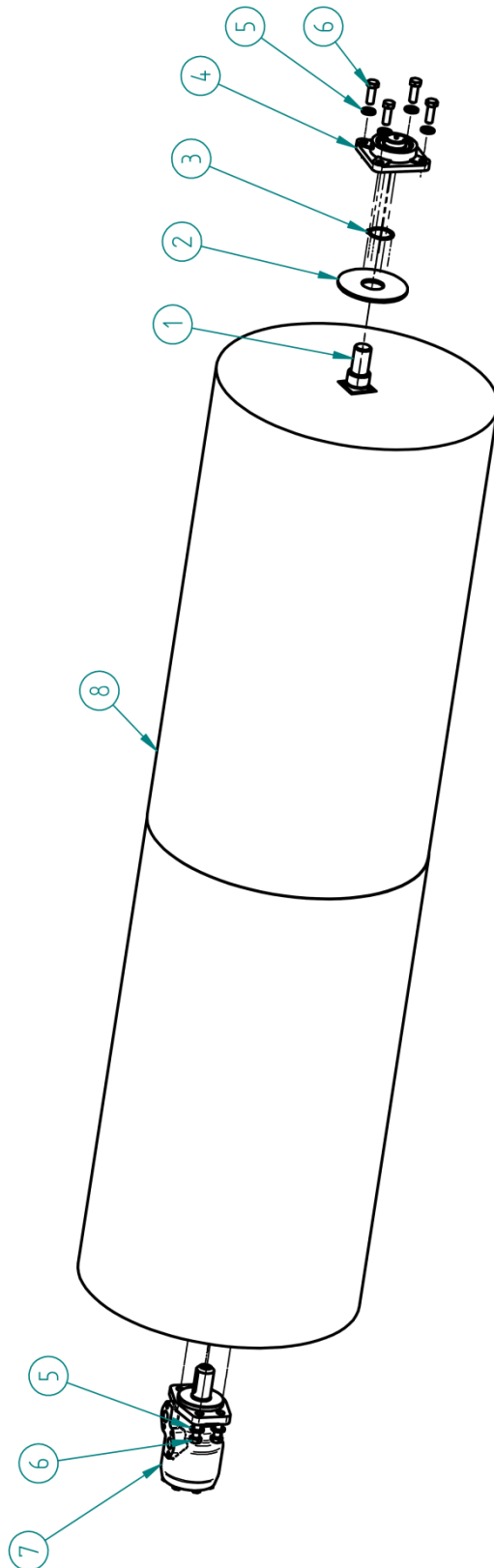


	T000057	L-2300 container's rubber blade				1
41.	T000981	Universal plug	6	6	6	6
42.	T000969	199274 plastic cap	5	5	5	5
43.	T001020	Back gauge wheel	2	2	2	2
44.	T001021	Front gauge wheel	1	1	1	1



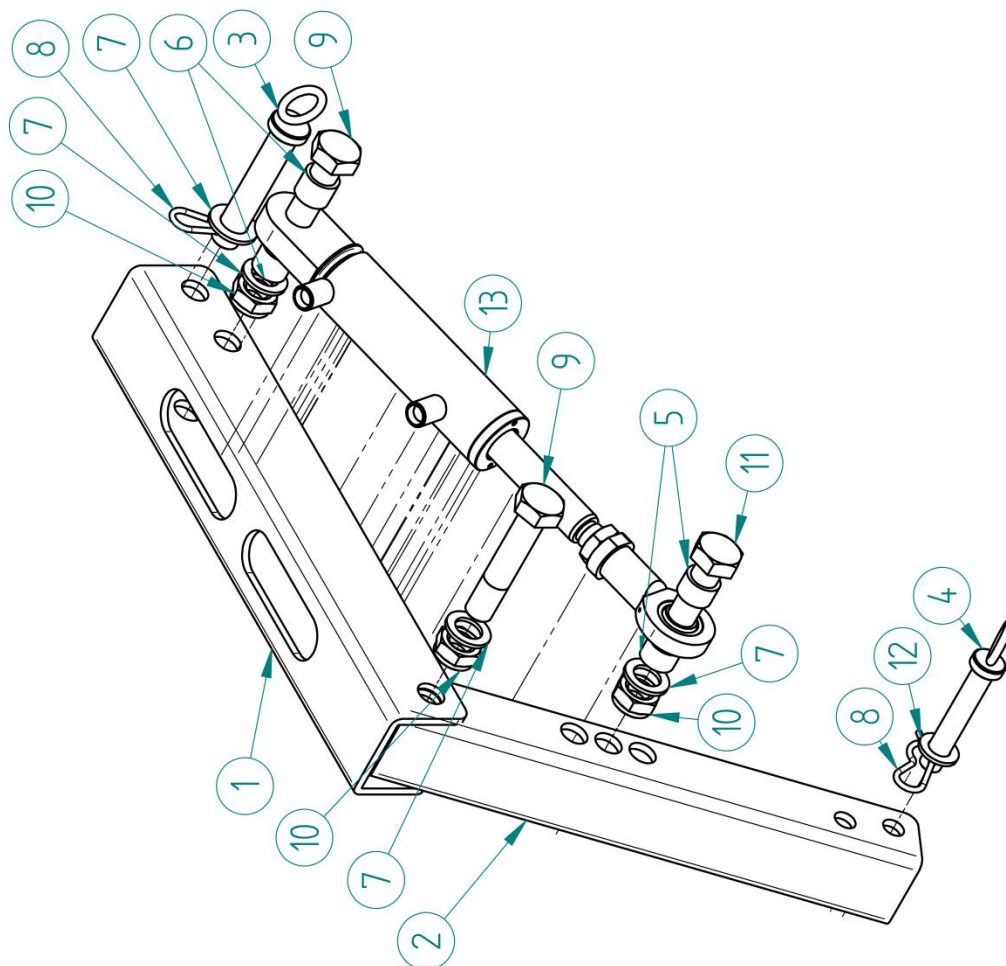


Mobile suspension			
No.	Index	Part name	Quantity
1.	P225074	Suspension frame	1
2.	P604402	Angle adjustment bar	1
3.	P604403	Suspension bolt	1
4.	P601086	Securing flange	1
5.	P225087	Main suspension bolt	1
6.	T001159	M24x1,5 sel. nut	1
7.	T001086	Rubber suspension protector	2
8.	T000830	M10x30 cup square bolt	2
9.	T000217	3034-37 slide bearing	2
10.	T000460	16 flat washer	1
11.	T000453	Spring washer	1
12.	T000781	M16x50 screw	1
13.	T000981	Universal plug	2



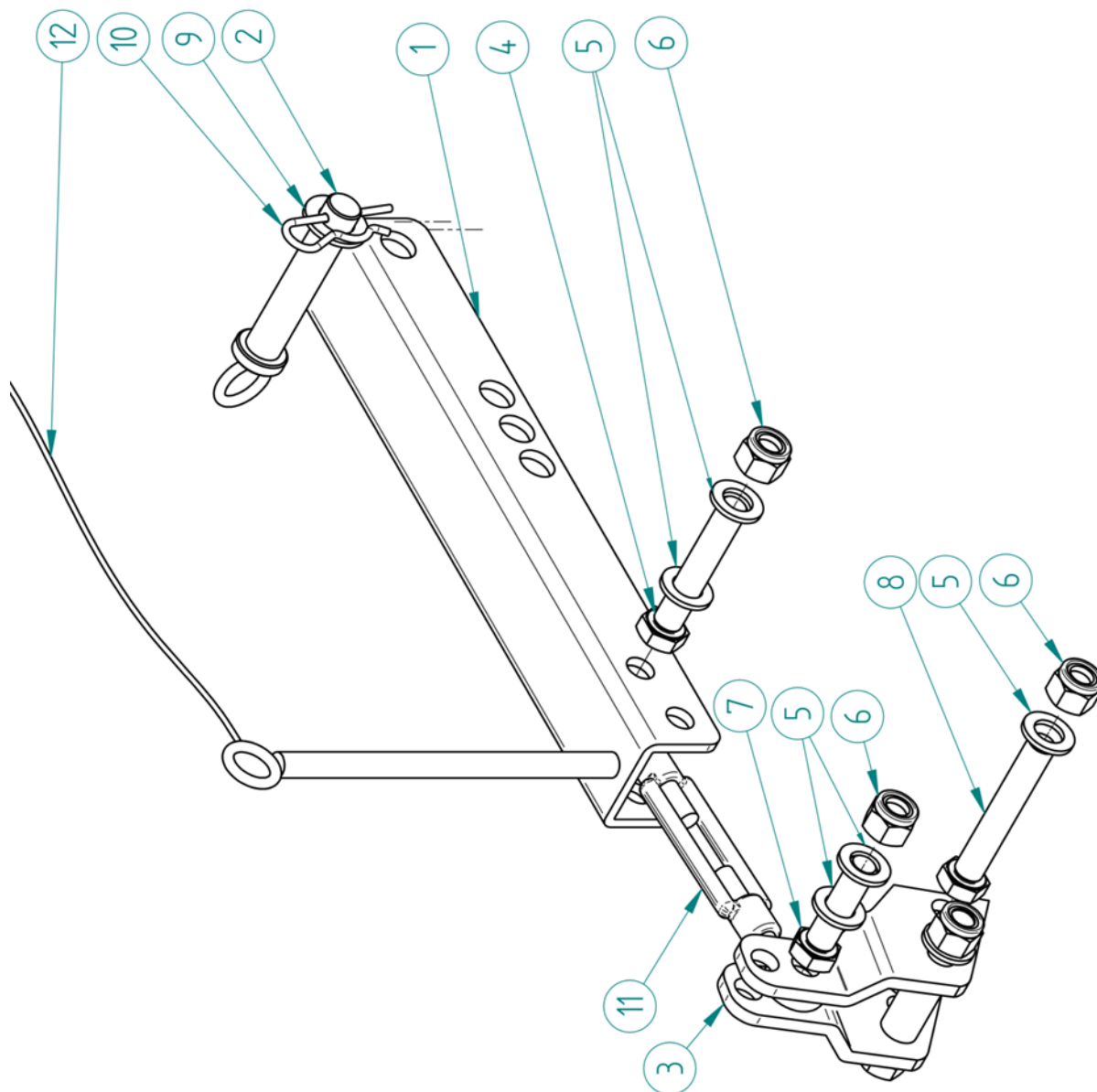


Work shaft			Pieces per machine			
No.	Index	Part name	Sweeper type			
			L-1200	L-1500	L-1800	L-2300
1.	P601379	Brush attachment shaft	1			
	P601281	Brush attachment shaft		1		
	P601082	Brush attachment shaft			1	
	P601481	Brush attachment shaft				1
2.	P601087	Securing flange	1	1	1	1
3.	T000413	40Z snap ring	1	1	1	1
4.	T000205	UCF 206 bearing system	1	1	1	1
5.	T000458	12 flat washer	8	8	8	8
6.	T000756	M12x35 screw	8	8	8	8
7.	T000629	Hydraulic engine	1	1	1	1
8.	T000702	L-600 PPN main brush	2			
	T000701	L-600 MIX main brush	2			
	T000703	L-750 MIX main brush		2		3
	T000706	L-900 MIX main brush			2	
	T000704	L-750 PPN main brush		2		3
	T000707	L-900 PPN main brush			2	



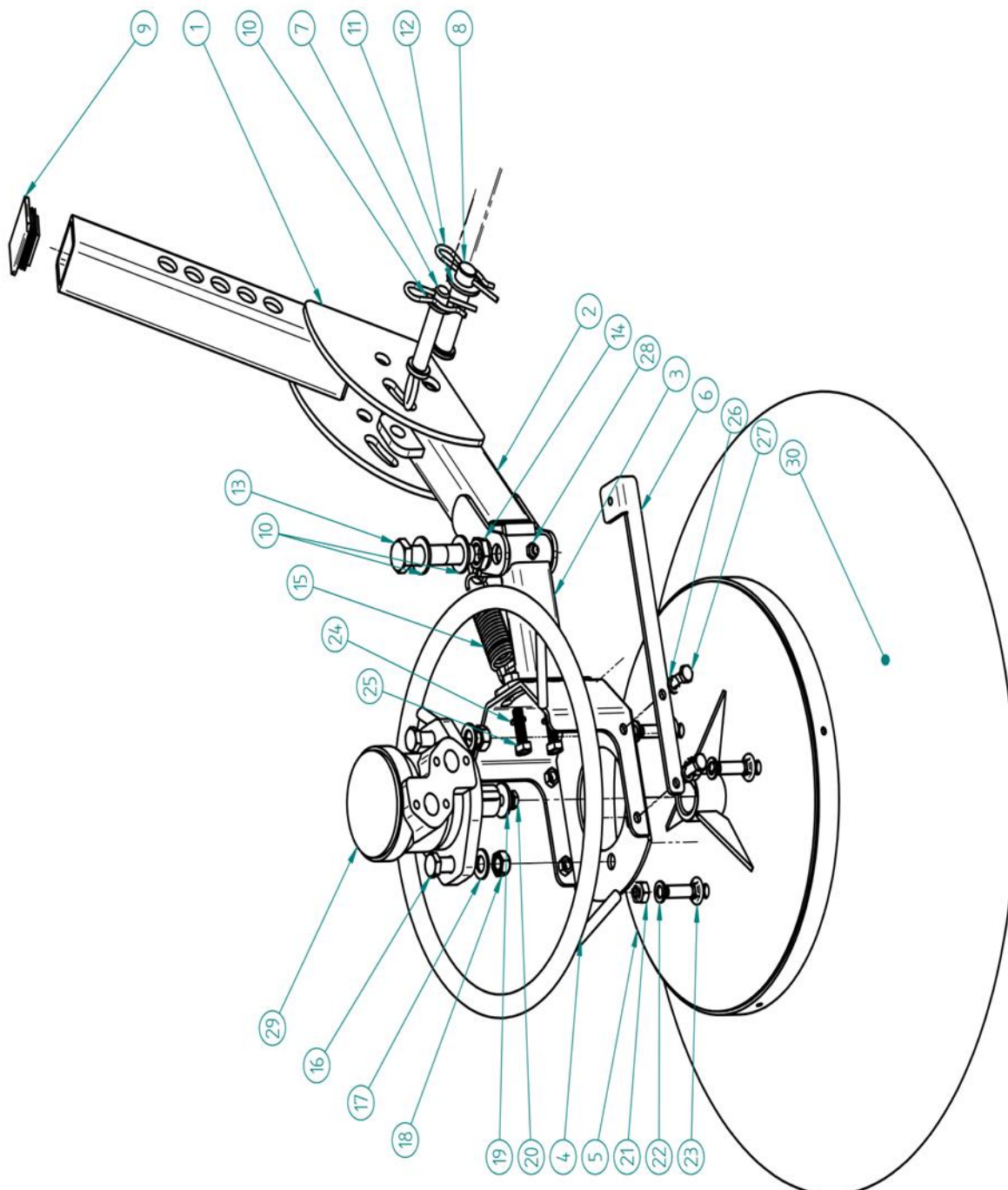


MANUAL EMPTYING OF THE ROTOR			
No.	Index	Part name	Quantity
1.	P602257	Leading arm	1
2.	P602258	Actuator adjustment arm	1
3.	P602266	Body bolt	1
4.	P602260	Container bolt	1
5.	P602277	Spacer	2
6.	P605113	Spacer	2
7.	T000462	20 flat washer	4
8.	T000987	4x100 beta cotter pin	2
9.	T000787	M20x100 dr. screw	2
10.	T000255	M20 sel. nut	3
11.	T000794	M20x90 dr. screw	1
12.	T000460	16 flat washer	1
13.	T000635	Complete hydraulic actuator	1





Manual dirt removal			
No.	Indeks		Psc.
1.	P602157	Leading arm	1
2.	P602266	Body bolt	1
3.	P602166	Dirt container handle	1
4.	T000785	M16x80 dr. screw	1
5.	T000460	16 flat washer	6
6.	T000294	M16 sel. nut	4
7.	T000782	M16x50 screw	1
8.	T000785	M16x90 dr. screw	2
9.	T000462	20 flat washer	1
10.	T000987	4x100 beta cotter pin	1
11.	T000818	Turnbuckle	1
12.	T000162	ø 8 cable	5

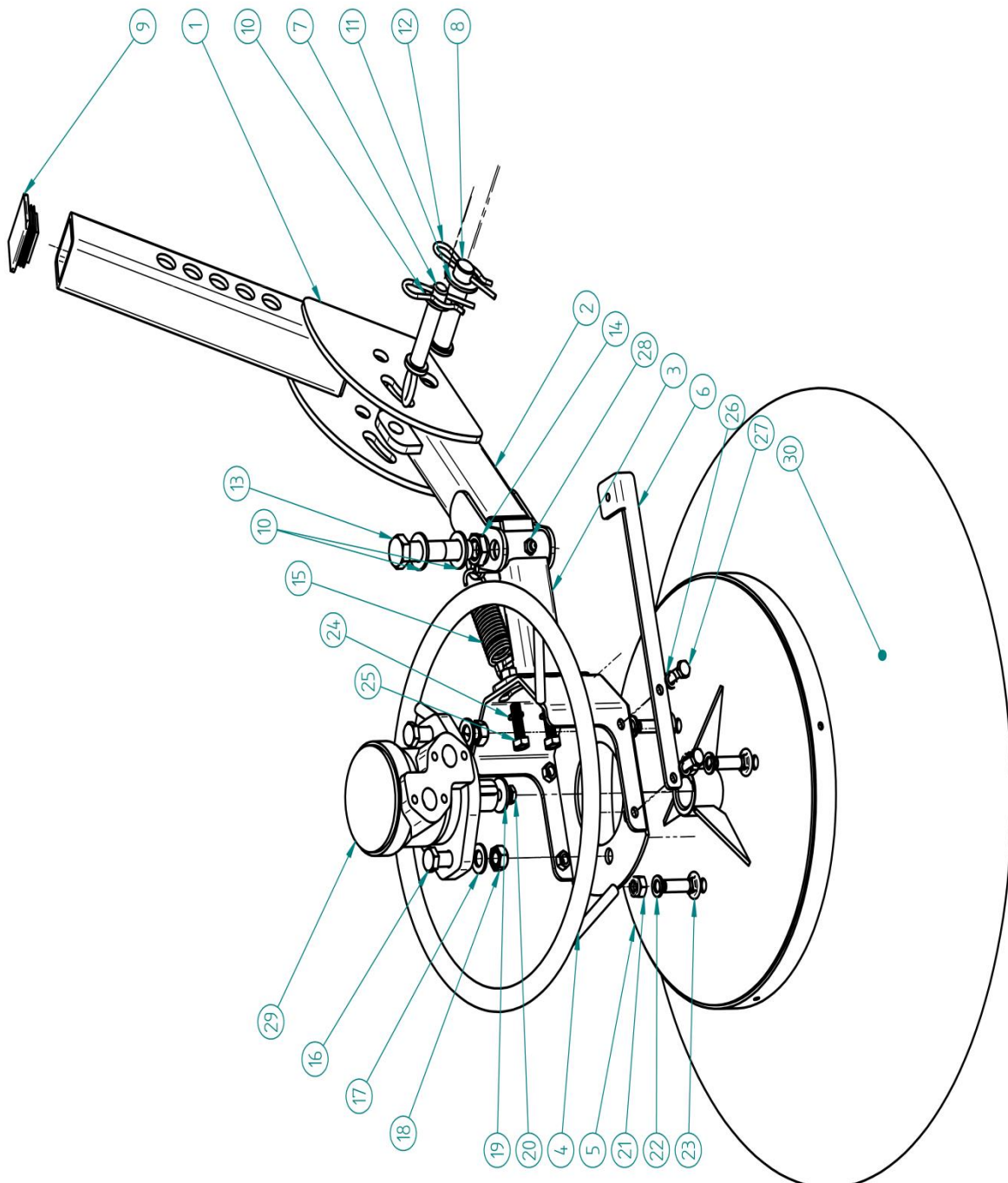




Side brush - right			
Pozycja	Indeks	Opis	Ilość
1.	P603102	Upper arm	1
2.	P603190	Central arm	1
3.	P603191	Engine frame arm	1
4.	P603125	Hydraulic engine frame	1
5.	P603132 + P603135	Side brush frame	1
6.	P604119	Sprinkler nozzle handle	1
7.	P603138	Lock bolt	1
8.	P603145	Rotary bolt	1
9.	T000969	1999274 plastic cap	1
10.	T000460	16 flat washer ext.	3
11.	T000462	20 flat washer	1
12.	T000987	Beta cotter pin	2
13.	T000785	M16x90 dr. screw	1
14.	T000294	M16 sel. nut	1
15.	T000659	Spring	1
16.	T000756	M12x35 8.8 OC screw	2
17.	T000458	12 flat washer	2
18.	T000291	M12 sel. nut	2
19.	T000443	8 flat washer ext.	1
20.	T001369	M8x35 screw	1
21.	T000260	M10 cap nut	3
22.	T000456	ZW 10 OC washer	3
23.	T000745	M10x40 screw	3
24.	T000456	10 flat washer ext.	2
25.	T000741	M10x35 screw	2



26.	T000471	8 flat washer	2
27.	T000805	M8x25 screw	2
28.	T000645	m10x1 lubricant fitting	1
29.	T000630	Hydraulic engine	1
30.	T000700	PPN rotary brush	1
	T000699	Mix rotary brush	1
	T000698	Steel rotary brush	1

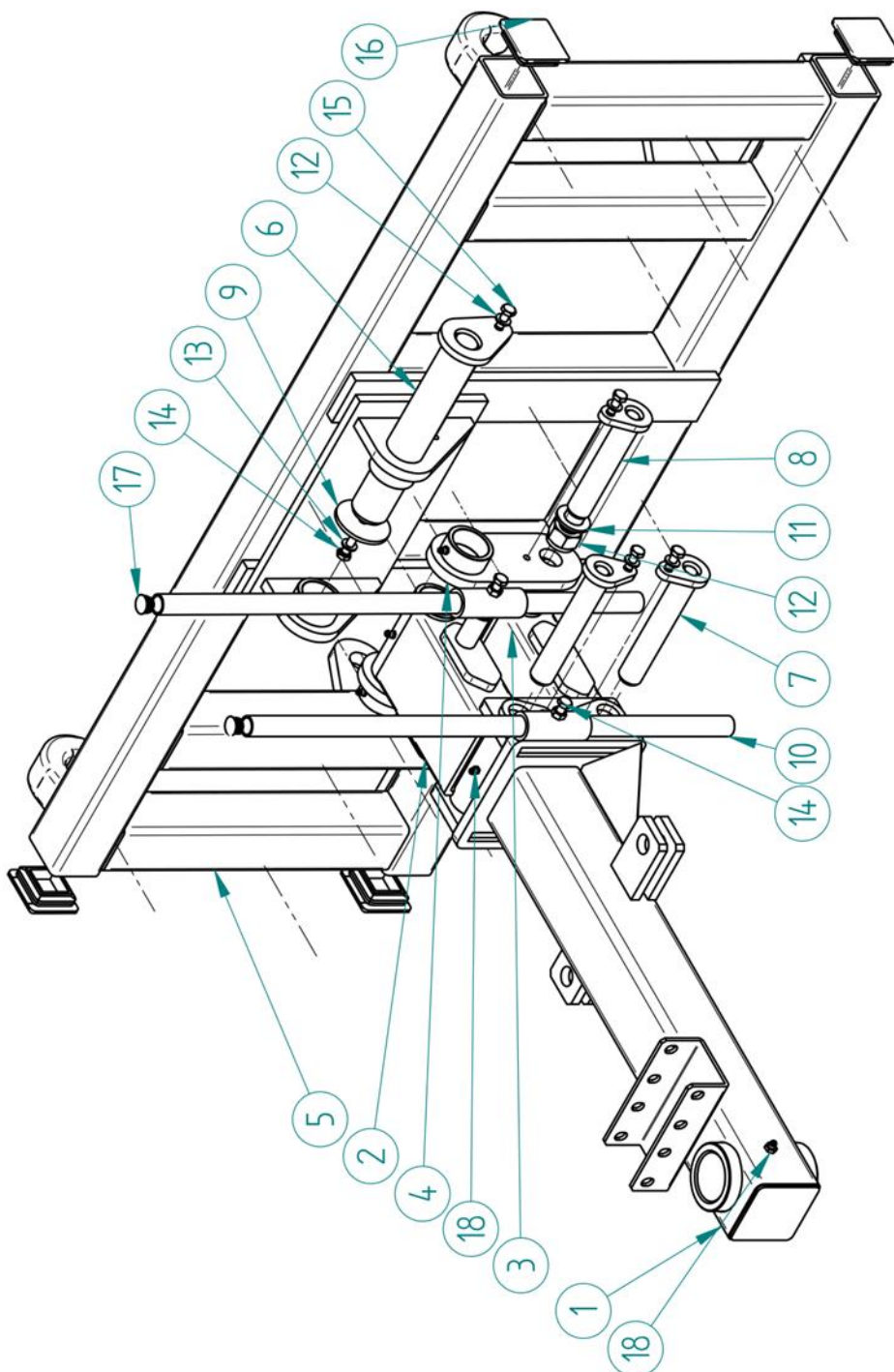




Side brush - left			
Pozycja	Indeks	Opis	Ilość
1.	P603102	Upper arm	1
2.	P603107	Central arm	1
3.	P603117	Engine frame arm	1
4.	P603125	Hydraulic engine frame	1
5.	P603132+ P603135	Side brush frame	1
6.	P604119	Sprinkler nozzle handle	1
7.	P603138	Lock bolt	1
8.	P603145	Rotary bolt	1
9.	T000969	1999274 plastic cap	1
10.	T000460	16 flat washer ext.	3
11.	T000462	20 flat washer	1
12.	T000987	Beta cotter pin	2
13.	T000785	M16x90 dr. screw	1
14.	T000294	M16 sel. nut	1
15.	T000659	Spring	1
16.	T000756	M12x35 8.8 OC screw	2
17.	T000458	12 flat washer	2
18.	T000291	M12 sel. nut	2
19.	T000443	8 flat washer ext.	1
20.	T001369	M8x35 screw	1
21.	T000260	M10 cap nut	3
22.	T000456	ZW 10 OC washer	3
23.	T000745	M10x40 screw	3
24.	T000456	10 flat washer ext.	2
25.	T000741	M10x35 screw	2
26.	T000471	8 flat washer	2

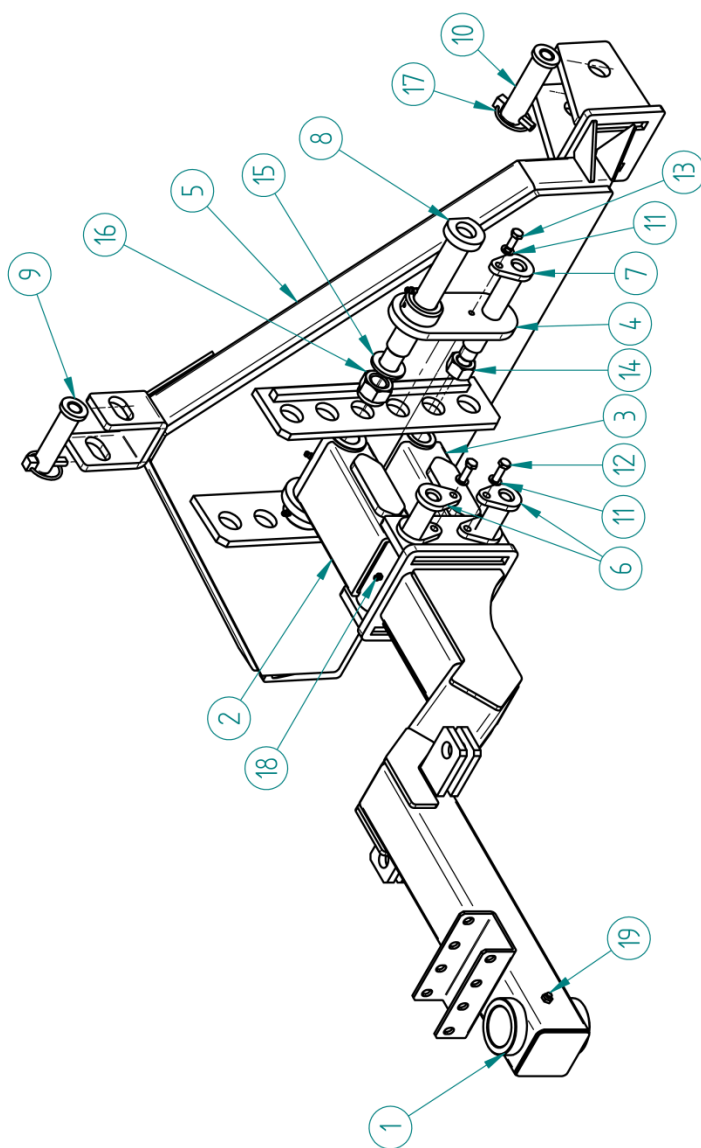


27.	T000805	M8x25 screw	2
28.	T000645	m10x1 lubricant fitting	1
29.	T000630	Hydraulic engine	1
30.	T000700	PPN rotary brush	1
	T000699	Mix rotary brush	1
	T000698	Steel rotary brush	1



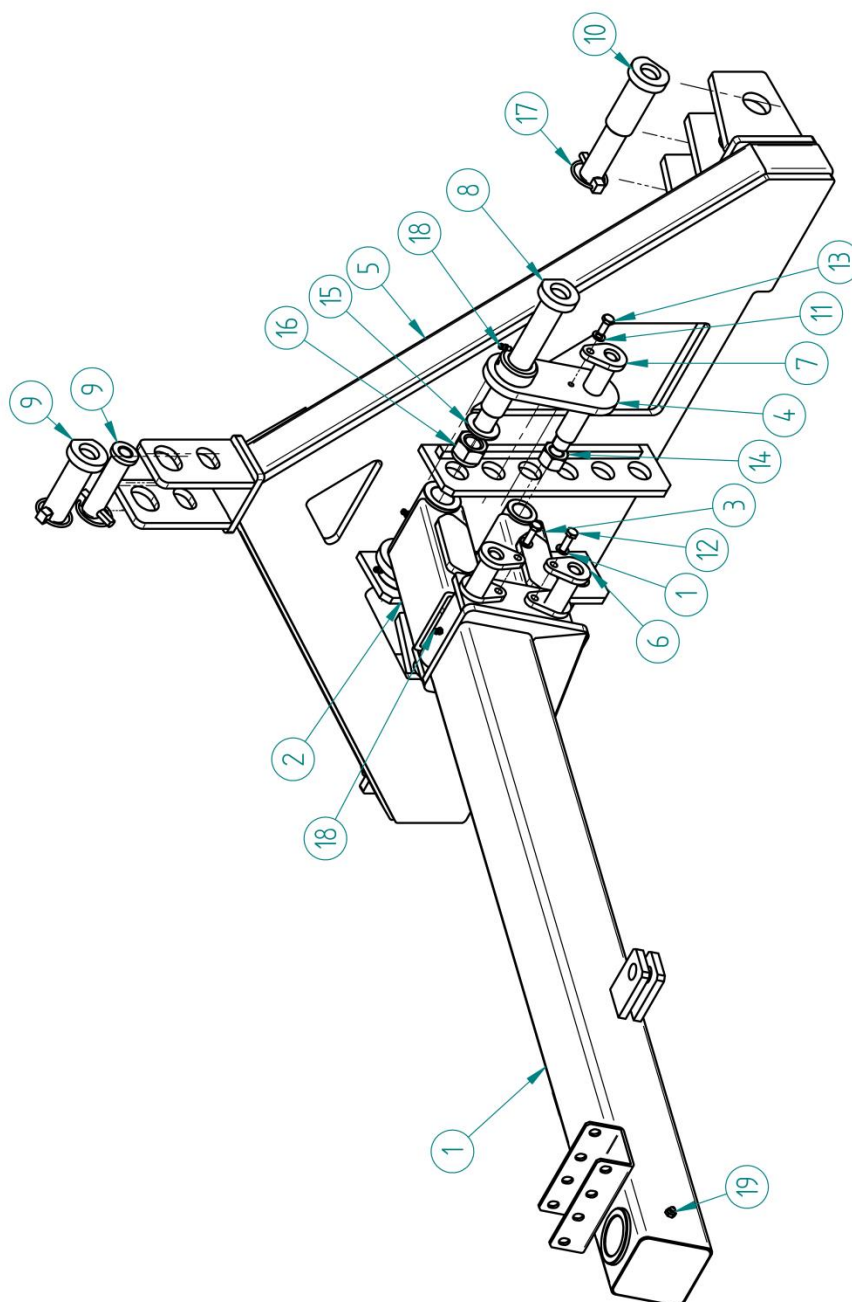


Handle TYP EURO			
Pozycja	Indeks	Opis	Ilość
1.	P225003	Main arm	1
2.	P225022	Self-positioning connector	1
3.	P225035	Self-positioning connector	1
4.	P225064	Connector fitting	1
5.	P000128	Handle frame	1
6.	P225054	Main rotary bolt	1
7.	P225048	Main arm bolt	2
8.	P225041	Lower connector fitting arm	1
9.	P225057	Securing washer	1
10.	P225070	Supporting brace	2
11.	T000462	20 flat washer	1
12.	T000255	M20 sel. nut	1
13.	T000451	8 flat washer	7
14.	T000756	M8x25 screw	8
15.	T000805	M8x35 screw	1
16.	T000973	60x60 profiled cap	4
17.	T000935	466568 round cap	2
18.	T000645	m6x1 lubricant fitting	7



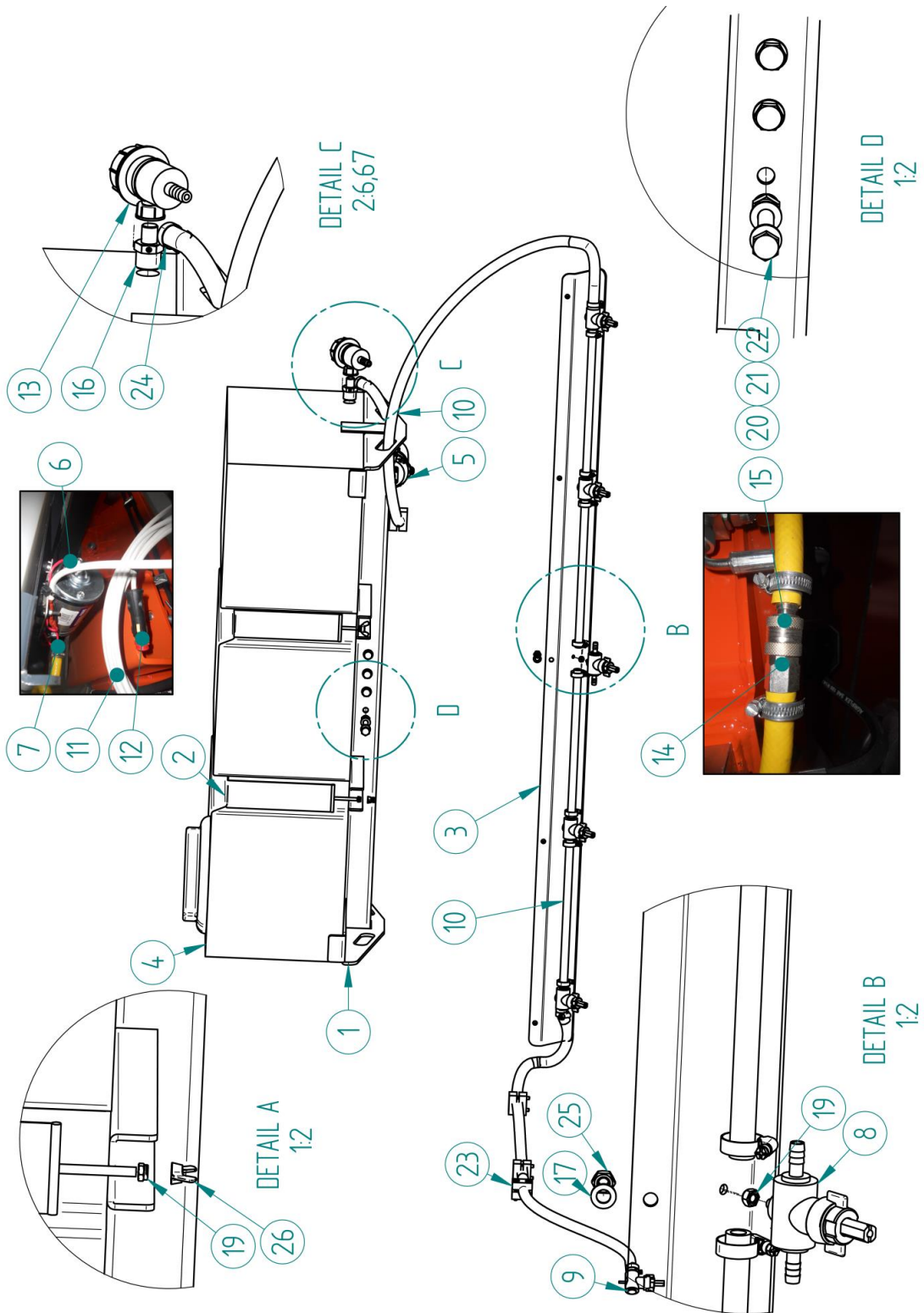


Front Handle TUZ			
Pozycja	Indeks	Part name	Ilość
1.	P226001	Main arm	1
2.	P226022	Self-positioning connector	1
3.	P225035	Self-positioning connector	1
4.	P225064	Connector fitting	2
5.	P226062	1 st category frame	1
	P227005	2 nd category frame	1
6.	P225048	Main arm bolt	2
7.	P225041	Lower connector fitting bolt	1
8.	P226049	Main rotary bolt	1
9.	P570059	Upper connector 1 st category bolt	1
	P280053	Upper connector 2 nd category bolt	1
10.	P226081	Lower tie rod 1 st category bolt	2
	P227019	Lower tie rod 2 nd category bolt	2
11.	T000471	8 flat washer	3
12.	T000805	M8x20 screw	2
13.	T000807	M8x30 screw	1
14.	T000462	M20 nut	1
15.	T000464	25 flat washer	1
16.	T001159	M24x1,5 sel. nut	1
17.	T000981	Universal plug	3
18.	T000645	m6x1 lubricant fitting	7













Back Handle TUZ			
Pozycja	Indeks	Part name	Ilość
1.	P230001	Main arm	1
2.	P226022	Self-positioning connector	1
3.	P225035	Self-positioning connector	1
4.	P000904	Connector fitting	2
5.	P000897	1 st and 2 nd category frame	1
	P000895	2 nd and 3 rd category frame	1
6.	P225048	Main arm bolt	2
7.	P225048	Lower connector fitting bolt	1
8.	P225087	Main rotary bolt	1
9.	P570059	Upper connector 1 st category bolt	1
	P280053	Upper connector 2 nd category bolt	1
	P231023	Upper connector 3 rd category bolt	1
10.	P000898	Lower tie rod 1 st and 2 nd category bolt	2
	P231020	Lower tie rod 2 nd and 3 rd category bolt	2
11.	T000455	8 flat washer	3
12.	T000805	M8x20 screw	2
13.	T000807	M8x30 screw	1
14.	T000255	M20 nut	1
15.	T000464	25 flat washer	1
16.	T001159	M24x1,5 sel. nut	1
17.	T000981	Universal plug	3
18.	T000645	m6x1 lubricant fitting	7









			Parts per machine			
No.	Part no./index	Part name	Sweeper type			
			L-1200	L-1500	L-1800	L-2300
1.	P606219	Water container frame	1	1	1	1
2.	P604018	Lashing strap	2	2	2	2
3.	P604202	Sprinkler slat	1			
	P604250	Sprinkler slat		1		
	P604102	Sprinkler slat			1	
	P604251	Sprinkler slat				1
4.	T001008	Waterflex container	1	1	1	1
5.	T000490	Shurfflo 12V/24V electric pump	1	1	1	1
6.	T000586	90 st. 1132111 hose connector	1	1	1	1
7.	T000585	1032113 upright hose connector	1	1	1	1
8.	T000342	Pass-through nozzle	5	5	5	6
9.	T000341	End nozzle	1	1	1	1
10.	T000929	Water hose	2	2	2	2
11.	T000526	Electric cable	1	1	1	1
12.	T000957	Universal plug	1	1	1	1
13.	T000049	309T953 water filter	1	1	1	1
14.	T000153	1919-000412 connection pipe	2	2	2	2
15.	T000719	1919-000112 quick coupling	2	2	2	2
16.	T000315	2402032 reducing nipple	1	1	1	1
17.	T000471	8 flat washer ext.	6	6	6	6
19.	T000471	6 flat washer ext.	8	8	8	8
20.	T000750	M6 sel. nut	4	4	4	4
21.	T000456	10 flat washer	4	4	4	4
22.	T000292	M10 sel. nut	4	4	4	4
23.	T000316	Clamp	3	3	3	3
24.	T000336	Worm-drive hose clip	12	12	14	16
25.	T000256	M8 sel. nut	5	5	5	5
26.	T000256	M6 wing nut	4	4	4	4
Additional side brush						
9.	T000341	End nozzle	1	1	1	1
10.	T000929	Wasser line	1	1	1	1
14.	T000153	Connector 1919-000412	1	1	1	1
15.	T000719	quick connector 1919-000112	1	1	1	1
23.	T000316	Single clamp	3	3	3	3
24.	T000336	Spiral band	6	6	6	6
27.	T000844	T-connector	1	1	1	1

Zm_1800.12.00 Hydraulic system components		
No.	Exemplary figure	Name
1.		UPRIGHT CONNECTOR WITH ED INSULATION
2.		T-CONNECTOR
3.		AA NUT CONNECTOR
4.		BA NUT CONNECTOR

5.		AB ANGLE JOINT CONNECTOR
6.		FOUR-POLE CONNECTOR
7.		V/U RECOIL CHECK VALVE
8.		3/2 BALL VALVE

9.		RFP3 FLOW REGULATOR
10.		ISO QUICK COUPLING SOCKET AND PLUG
11.		ISO PLUG COVER
12.		ISO SOCKET COVER



TALEX Spółka z ograniczoną odpowiedzialnością

Spółka komandytowa

ul. Dworcowa 9c
77-141 Borzytuchoń
tel. (59) 821 13 40

e-mail. biuro@talex-sj.pl

www.talex-sj.pl

13.	 A blue, rectangular metal clamp with two circular ports on the front face and a silver-colored adjustment knob on top. The clamp is shown from a three-quarter perspective against a white background.	DUAL HYDRAULIC PIPING CLAMP
-----	--	--------------------------------



Hydraulic system components						
Basic version			L-1200	L-1500	L-1800	L-2300
No.	Index	Part name	Pcs.			
1.	T000560	M18x1,5 p hydraulic hose + M18x1,5 k L-3300	2	2	2	2
2.	T000319	2x15mm B25-2.15/15K clamp	1	1	1	1
3.	T000578	ZN-140 G1/2"/M18x1,5 ED/12L upright connector	2	2	2	2
4.	T000995	ISO M18x1,5 quick coupling - plug	2	2	2	2
5.	T000488	ISO plug cover	2	2	2	2
VERSION WITH HYDRAULIC EMPTYING						
1.	T000537	M18x1,5 upright hydraulic hose + M18x1,5 upright L-3000	2	2	2	2
2.	T000534	M18x1,5 upright hydraulic hose + M18x1,5 upright L- 1620				1
3.	T000567	M18x1,5 upright hydraulic hose + M18x1,5 upright L- 1560				1
4.	T000532	M18x1,5 upright hydraulic hose + M18x1,5 upright L-1390			1	
5.	T000531	M18x1,5 upright hydraulic hose + M18x1,5 upright L-1340			1	
6.	T000530	M18x1,5 upright hydraulic hose + M18x1,5 upright L-1270		1		
7.	T000512	M18x1,5 upright hydraulic hose + M18x1,5 upright L-1230		1		
8.	T000527	M18x1,5 upright hydraulic hose + M18x1,5 upright L-1020	1			
9.	T000549	M18x1,5 upright hydraulic hose + M18x1,5 upright L-980	1			
10.	T000540	M18x1,5 upright hydraulic hose + M18x1,5 upright L-540	1	1	1	1



11.	T000562	M18x1,5 upright hydraulic hose + M18x1,5 upright L-405	1	1	1	1
12.	T000561	M18x1,5 upright hydraulic hose + M18x1,5 angular L-350	1	1	1	1
13.	T000559	M18x1,5 upright hydraulic hose + M18x1,5 angular L-320	1	1	1	1
14.	T000717	ISO 12,5 M18x1,5 quick coupling - socket (SKPF12L18N)	2	2	2	2
15.	T001007	V/U 3/8 - 0,5 BAR check valve	2	2	2	2
16.	T001045	PN-147 M18x1,5 12L T-connector	2	2	2	2
17.	T001032	AB M18x1,5/M18x1,5 12L/12L angle joint connector	2	2	2	2
18.	T000577	STRAIGHT CONNECTOR AB M18x1,5/12L - G3/8 ED L45	2	2	2	2
19.	T001264	11,5*1 reducer	2	2	2	2
20.	T000482	12,5 ISO socket cover	2	2	2	2
21.	T000995	ISO 12,5 M18x1,5 quick coupling - plug	4	4	4	4
22.	T000582	STRAIGHT CONNECTOR G3/8 M18x1,5 ED/12L	4	4	4	4
23.	T000488	12,5 ISO plug cover	4	4	4	4
24.	T000319	2x15mm B25-2.15/15K clamp	3	4	3	3



VERSION WITH HYDRAULIC EMPTYING AND SIDE BRUSH (Right)						
Hydraulic system components			Pcs.			
No.	Index	Part name	L-1200	L-1500	L-1800	L-2300
1.	T000560	M18x1,5 p hydraulic hose + M18x1,5 k L-3300	1	1	1	1
2.	T000537	M18x1,5 upright hydraulic hose + M18x1,5 upright L-3000	1	1	1	1
3.	T000539	M18x1,5 upright hydraulic hose + M18x1,5 upright L-3625				1
4.	T000513	M18x1,5 upright hydraulic hose + M18x1,5 upright L-3120			1	
5.	T000536	M18x1,5 upright hydraulic hose + M18x1,5 upright L-2880		1		
6.	T000547	M18x1,5 upright hydraulic hose + M18x1,5 upright L-2600	1			
7.	T000572	M18x1,5 angular hydraulic hose + M18x1,5 angular L-4060				1
8.	T000521	M18x1,5 upright hydraulic hose + M18x1,5 upright L-3510 "S"			1	
9.	T000568	M18x1,5 upright hydraulic hose + M18x1,5 upright L-3340 "S"		1		
10.	T000570	M18x1,5 angular hydraulic hose + M18x1,5 angular L-3040	1			
11.	T000535	M18x1,5 upright hydraulic hose + M18x1,5 upright L-1650				1
12.	T000533	M18x1,5 upright hydraulic hose + M18x1,5 upright L-1435			1	
13.	T000528	M18x1,5 upright hydraulic hose + M18x1,5 upright L-1080	1	1		
14.	T000533	M18x1,5 upright hydraulic hose + M18x1,5 upright L-1435				1
15.	T000512	M18x1,5 upright hydraulic hose + M18x1,5 upright L-1230			1	
16.	T000529	M18x1,5 upright hydraulic hose + M18x1,5 angular L-1165		1		
17.	T000548	PRZEWÓD P51/P51 M18x1,5 1SN DN8 L-870	1			
18.	T000540	M18x1,5 upright hydraulic hose + M18x1,5 upright L-540	1	1	1	1
19.	T000571	PRZEWÓD P52/P52 M18*1,5 1SN DN8 L-360 "C"	1	1	1	1
20.	T000538	M18x1,5 upright hydraulic hose + M18x1,5 upright L-360	1	1	1	1
21.	T000561	M18x1,5 upright hydraulic hose + M18x1,5 angular L-350	1	1	1	1
22.	T000573	PRZEWÓD P52/P52 M18*1,5 1SC DN8 L-86 "S" 45`	1	1	1	1
23.	T001007	V/U 3/8 - 0,5 BAR check valve	4	4	4	4
24.	T000582	STRAIGHT CONNECTOR G3/8 M18x1,5 ED/12L	3	3	3	3
25.	T000577	STRAIGHT CONNECTOR AB M18x1,5/12L - G3/8 ED L45	5	5	5	5
26.	T000578	ZN-140 G1/2"/M18x1,5 ED/12L upright connector	7	7	7	7
27.	T001032	AB M18x1,5/M18x1,5 12L/12L angle joint	3	3	3	3



		connector				
28.	T000319	2x15mm B25-2.15/15K clamp	5	7	6	7
29.	T001027	AA M18*1,5/M18*1,5 12L nut connector	1	1	1	1
30.	T001045	PN-147 M18x1,5 12L T-connector	3	3	3	3
31.	T000577	STRAIGHT CONNECTOR AB M18x1,5/12L - G3/8 ED L45	5	5	5	5
32.	T001032	AB M18x1,5/M18x1,5 12L/12L angle joint connector	3	3	3	3
33.	T000580	ZN-140 G1/2 M18x1,5 ED/12L S27 upright connector	1	1	1	1
34.	T000582	STRAIGHT CONNECTOR G3/8 M18x1,5 ED/12L	3	3	3	3
35.	T000998	3/2 M18*1,5 12L ball valve	1	1	1	1
36.	T000599	RFP3 1/2 flow regulator	1	1	1	1
37.	T001030	PN-147 M18x1,5 12L T-connector	1	1	1	1
38.	T000482	12,5 ISO socket cover	2	2	2	2
39.	T001264	11,5*1 reducer	2	2	2	2
40.	T001034	AA M18*1,5/M18*1,5 12L nut connector	2	2	2	2
41.	T000717	ISO 12,5 M18x1,5 quick coupling - socket (SKPF12L18N)	2	2	2	2
42.	T000995	ISO 12,5 M18x1,5 quick coupling - plug	4	4	4	4
43.	T000488	12,5 ISO plug cover	4	4	4	4

VERSION WITH HYDRAULIC EMPTYING AND SIDE BRUSH (LEFT)						
Hydraulic system components			Ilość			
No.	Index	Part name	Pcs.	L-1500	L-1800	L-2300
1.	T000560	M18x1,5 p hydraulic hose + M18x1,5 k L-3300	1	1	1	1
2.	T000537	M18x1,5 upright hydraulic hose + M18x1,5 upright L-3000	1	1	1	1
3.	T000557	M18x1,5 upright hydraulic hose + M18x1,5 upright L-1920	1	1	1	1
4.	T000569	M18x1,5 upright hydraulic hose + M18x1,5 upright L-1720	1	1	1	1
5.	T000540	M18x1,5 upright hydraulic hose + M18x1,5 upright L-540	2	2	2	2
6.	T000538	M18x1,5 upright hydraulic hose + M18x1,5 upright L-360	1	1	1	1
7.	T000571	PRZEWÓD P52/P52 M18*1,5 1SN DN8 L-360 "C"	1	1	1	1
8.	T000561	M18x1,5 upright hydraulic hose + M18x1,5 angular L-350	1	1	1	1
9.	T000573	PRZEWÓD P52/P52 M18*1,5 1SC DN8 L-86 "S" 45°	1	1	1	1
10.	T000528	M18x1,5 upright hydraulic hose + M18x1,5 upright L-1080	1	1		
11.	T000533	M18x1,5 upright hydraulic hose + M18x1,5 upright L-1435			1	1
12.	T000535	M18x1,5 upright hydraulic hose + M18x1,5 upright				1



		L-1650				
13.	T000512	M18x1,5 upright hydraulic hose + M18x1,5 upright L-1230			1	
14.	T000529	M18x1,5 upright hydraulic hose + M18x1,5 angular L-1165		1		
15.	T000548	PRZEWÓD P51/P51 M18x1,5 1SN DN8 L-870	1			
16.	T001007	V/U 3/8 - 0,5 BAR check valve	4	4	4	4
17.	T000582	STRAIGHT CONNECTOR G3/8 M18x1,5 ED/12L	3	3	3	3
18.	T000577	STRAIGHT CONNECTOR AB M18x1,5/12L - G3/8 ED L45	5	5	5	5
19.	T000578	ZN-140 G1/2"/M18x1,5 ED/12L upright connector	7	7	7	7
20.	T001032	AB M18x1,5/M18x1,5 12L/12L angle joint connector	3	3	3	3
21.	T000319	2x15mm B25-2.15/15K clamp	3	4	3	4
22.	T001027	AA M18*1,5/M18*1,5 12L nut connector	1	1	1	1
23.	T001045	PN-147 M18x1,5 12L T-connector	3	3	3	3
24.	T000580	ZN-140 G1/2 M18x1,5 ED/12L S27 upright connector	1	1	1	1
25.	T000998	3/2 M18*1,5 12L ball valve	1	1	1	1
26.	T000599	RFP3 1/2 flow regulator	1	1	1	1
27.	T001030	PN-147 M18x1,5 12L T-connector	1	1	1	1
28.	T000995	ISO 12,5 M18x1,5 quick coupling - plug	4	4	4	4
29.	T000488	12,5 ISO plug cover	4	4	4	4
VERSION WITH HYDRAULIC DRAINING AND TWO SIDE BRUSHES						
Hydraulic system components			PCS.			
No.	Index	Part name	L-1200	L-1500	L-1800	L-2300
1.	T000560	M18x1,5 p hydraulic hose + M18x1,5 k L-3300	1	1	1	1
2.	T000537	M18x1,5 upright hydraulic hose + M18x1,5 upright L-3000	1	1	1	1
3.	T000572	M18x1,5 angular hydraulic hose + M18x1,5 angular L-4060				1
4.	T000521	M18x1,5 upright hydraulic hose + M18x1,5 upright L-3510 "S"			1	
5.	T000568	M18x1,5 upright hydraulic hose + M18x1,5 upright L-3340 "S"		1		
6.	T000570	M18x1,5 angular hydraulic hose + M18x1,5 angular L-3040	1			
7.	T000539	M18x1,5 upright hydraulic hose + M18x1,5 upright L-3625				1
8.	T000513	M18x1,5 upright hydraulic hose + M18x1,5 upright L-3120			1	
9.	T000536	M18x1,5 upright hydraulic hose + M18x1,5 upright L-2880		1		
10.	T000547	M18x1,5 upright hydraulic hose + M18x1,5 upright L-2600	1			
11.	T000569	M18x1,5 upright hydraulic hose + M18x1,5 upright L-1720	1	1	1	1
12.	T000535	M18x1,5 upright hydraulic hose + M18x1,5 upright L-1650	1	1	1	2
13.	T000540	M18x1,5 upright hydraulic hose + M18x1,5	2	2	2	2



		upright L-540				
14.	T000538	M18x1,5 upright hydraulic hose + M18x1,5 upright L-360	1	1	1	1
15.	T000571	Wire P52/P52 M18*1,5 1SN DN8 L-360 "C"	1	1	1	1
16.	T000573	Wire P52/P52 M18*1,5 1SC DN8 L-86 "S" 45`	1	1	1	1
17.	T000561	M18x1,5 upright hydraulic hose + M18x1,5 angular L-350	1	1	1	1
18.	T000528	M18x1,5 upright hydraulic hose + M18x1,5 upright L-1080	1	1		
19.	T000533	M18x1,5 upright hydraulic hose + M18x1,5 upright L-1435			1	1
20.	T000535	M18x1,5 upright hydraulic hose + M18x1,5 upright L-1650	1	1	1	2
21.	T000512	M18x1,5 upright hydraulic hose + M18x1,5 upright L-1230			1	1
22.	T000529	M18x1,5 upright hydraulic hose + M18x1,5 angular L-1165		1		
23.	T000549	M18x1,5 upright hydraulic hose + M18x1,5 upright L-980	1			
24.	T001007	V/U 3/8 - 0,5 BAR check valve	5	5	5	5
25.	T000582	STRAIGHT CONNECTOR G3/8 M18x1,5 ED/12L	4	4	4	4
26.	T001039	STRAIGHT CONNECTO PBB M18x1,5/M18x1,5 12L/12L (PŁASKA/STOŻEK)	1	1	1	1
27.	T000577	STRAIGHT CONNECTOR AB M18x1,5/12L - G3/8 ED L45	6	6	6	6
28.	T001032	AB M18x1,5/M18x1,5 12L/12L angle joint connector	3	3	3	3
29.	T000578	ZN-140 G1/2"/M18x1,5 ED/12L upright connector	9	9	9	9
30.	T000319	2x15mm B25-2.15/15K clamp	7	9	8	9
31.	T001027	AA M18*1,5/M18*1,5 12L nut connector	1	1	1	1
32.	T001045	PN-147 M18x1,5 12L T-connector	3	3	3	3
33.	T001032	AB M18x1,5/M18x1,5 12L/12L angle joint connector	3	3	3	3
34.	T000580	ZN-140 G1/2 M18x1,5 ED/12L S27 upright connector	1	1	1	1
35.	T000998	3/2 M18*1,5 12L ball valve	1	1	1	1
36.	T000599	RFP3 ½ flow regulator	1	1	1	1
37.	T001030	PN-147 M18x1,5 12L T-connector	1	1	1	1
38.	T000995	ISO 12,5 M18x1,5 quick coupling - plug	4	4	4	4
39.	T000488	ISO plug cover	4	4	4	4
40.	T000482	12,5 ISO socket cover	2	2	2	2
41.	T001264	11,5*1 reducer	2	2	2	2
42.	T001034	AA M18*1,5/M18*1,5 12L nut connector	2	2	2	2
43.	T000316	2x15mm B25-2.15/15K clamp	1	1	8	8
44.	T000582	STRAIGHT CONNECTOR G3/8 M18x1,5 ED/12L	4	4	4	4
45.	T000717	ISO 12,5 M18x1,5 quick coupling - socket (SKPF12L18N)	2	2	2	2



Serial no.	Type
Production date:	KJ

12.Warranty

Warranty Card

Under this warranty, the manufacturer undertakes to repair for free, the physical defects revealed during the warranty period, which is valid for 12 months from the date of sale.

The manufacturer is exempt from responsibility under the guarantee in case of:

- Mechanical damage to the machine after the transfer to the user;
- Improper operation, maintenance, machine storage, in particular, contrary to the instructions;
- Repairs by unauthorized persons without the consent of the manufacturer to carry them out;
- Design changes without consulting with the manufacturer;

The warranty card is valid if it has the seller's signature and the date of sale certified by company stamp of a traded unit. It must not contain erasures and corrections by unauthorized persons.

The duplicate of warranty card may be issued upon written request upon presentation of proof of purchase by the user.

In the case of unjustified request for warranty service, costs associated will be on the user's account.

User reports complaints immediately after the occurrence of the damage, either directly to the seller or manufacturer.

The manufacturer provides warranty service within 14 days from the date of notification to the date of repair.

The warranty is extended by the period of repair, counting the date of notification to the time of the service if the defect has prevented the use of the machine.

The warranty does not cover natural wear of parts such as bearings, support wheels, roller brushes, side brushes, hydraulic installation components (hydraulic couplings, hydraulic engines, rubber hoses, valves and controls, etc.), sprinkler system components (water pump, water filter, spray nozzles,), rubber cover, fasteners, etc.

Sale date: _____
(day, month, year)

(signature and stamp of store)



RECORD OF WARRANTY REPAIRS

Filled in by the manufacturer

The date of claim: _____

The extent of claim and replaced parts: _____

Date of settling the claim: _____

Warranty extender until: _____

(signature and stamp of service)

The date of claim: _____

The extent of claim and replaced parts: _____

Date of settling the claim: _____

Warranty extender until: _____

(signature and stamp of service)

The date of claim: _____

The extent of claim and replaced parts: _____

Date of settling the claim: _____

Warranty extender until: _____

(signature and stamp of service)

The date of claim: _____

The extent of claim and replaced parts: _____

Date of settling the claim: _____

Warranty extender until: _____

(signature and stamp of service)



CE Machine declaration of conformity

Manufacturer:

TALEX Spółka z ograniczoną odpowiedzialnością Sp.K.

Ul. Dworcowa 9C

77-141 Borzytucho

We hereby declare that the machine:

Machine: Sweeper EcoClean

Machine type: ZM-1200, ZM-1500, ZM-1800, ZM-2300

Serial number:

To which this declaration relates, to the requirements of:

GUIDELINES

- Machinery Directive 2006/42 / WE z 17.05.2006 r. (Dz.U. L 157 z 9.06.2006 r. Str.24)
And their change 2009/127 / WE z 21.10.2009 r. (Dz.U. L 310 z 25.11.2009 r. Str.29).

HARMINIZED STANDARDS:

- PN-EN 13524/2014 Machines for the maintenance of roads. safety requirements
- PN-EN 13019/2009 Machines for the maintenance of roads. safety requirements
- PN-EN 12100/2010 Safety of machinery. General principles for design. risk assessment
And reduce risk
- PN-ISO 11684/1998 Safety symbol and hazard pictograms
- PN-EN ISO 4254-1 / 2006 Agricultural machinery. Safety..

Part 1: General requirements

The declaration will be void if the machine is modified without the manufacturer's consent.

Borzytucho, 2015.04.08

Place and date

Karol Jaworski

Name and signature of authorized person by manufacturer